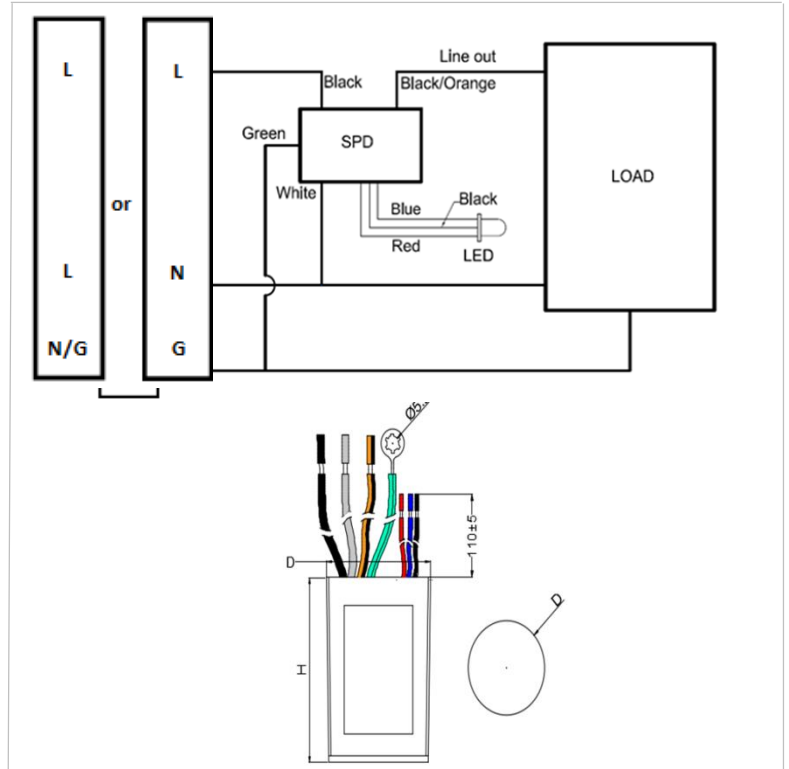




Model No.	SPD-277S-20KA-EILR
Product Type	SPD Type 4CA
Max Operating	320
Mains Voltage	120~277
Frequency	50/60 Hz
Status	Production

Mains Voltage(VAC)	277*	
Maximum Continuous Operating Voltage(VAC)	320	
Max Peak Current (8/20us)(KA)	In	10
	I _{max}	20
Combination Wave (1.2/50μs-8/20μs)(KV/KA)	V _n	20
	V _{max}	20**
Measured Limited Voltage (MLV)(V)	L-N	1300
	L-G	1290
	N-G	2000
	Height(H)	65±1
	Diameter(D)	45±1
Operation Temperature (°C)	-40~+85	
Maximum Load (A)	8	
IP Rating:	IP67	



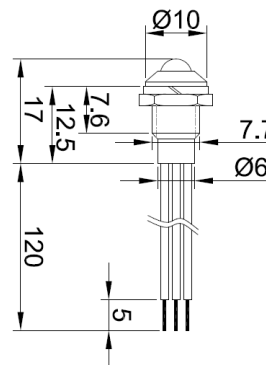
16 AWG Lead wire length (mm)	Black (Strip 10mm Tin Plated)	200±5
	White (Strip 10mm Tin Plated)	200±5
	Green (with Eyelet Ø5.2) * SPD-277P-20KA-EILR /N for option without Eyelet	260±5
	Black and orange (Strip 10mm Tin Plated)	200±5

* CAUTION: For use only with LED Drivers/Ballasts with dedicated input voltage 277VAC, or with universal input voltage ranges from 120~277VAC

**V_{max}: Limited by test equipment max ratings

Overview:

- Protects against surges according to UL1449 and IEEE C62.41.2 C
- Can be used with LED Driver, e-HID Ballast, Electronic Fluorescent Ballast, Induction Generator



Remote-mounted Bi-color Indicator

Green: SPD is operating
Red: SPD reaches End-of Life, replace SPD
IP Rating: IP65

24 AWG Lead wire length (mm)	Red (Strip 5mm)	120
	Black (Strip 5mm)	120
	Green (Strip 5mm)	120

Document No:	PS_277S-20KA-EILR_M04.1
Date:	2020-10-02 (yyyy-mm-dd)