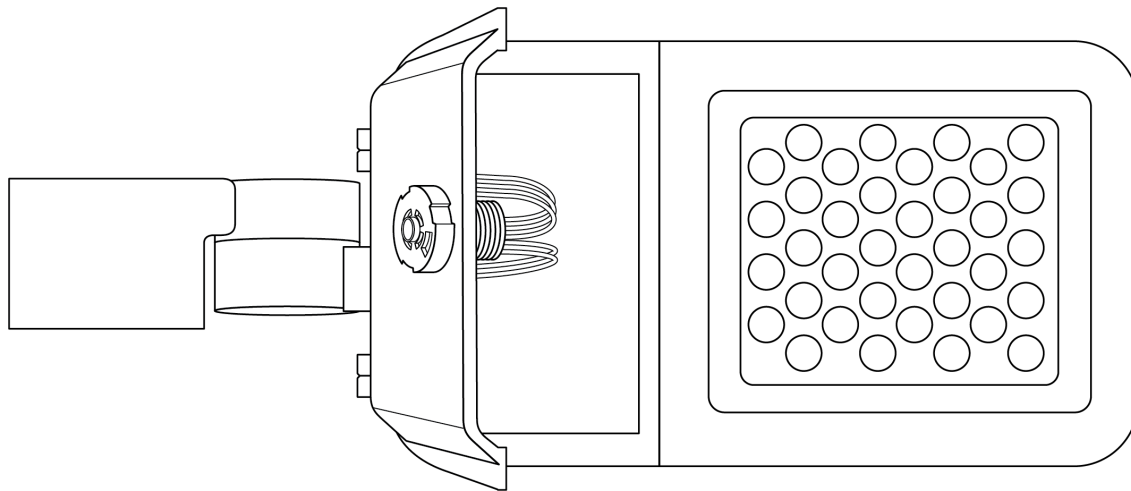
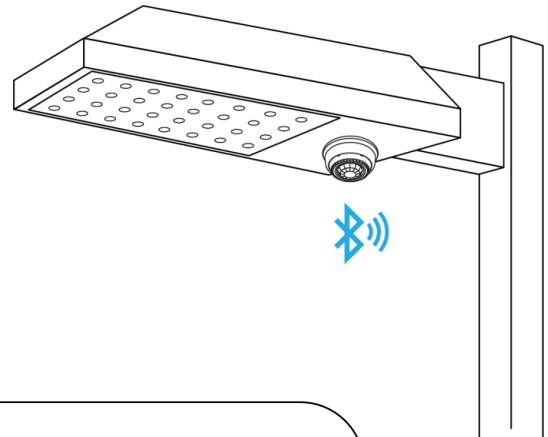
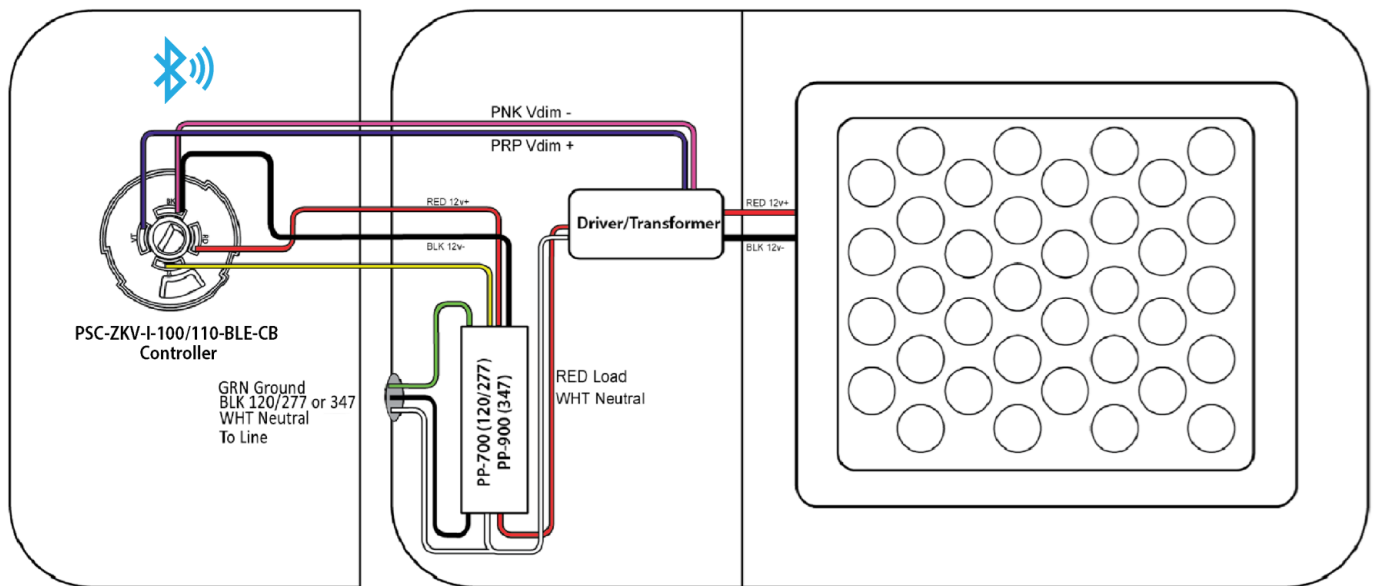


**Example Application: PSC-ZKV Device Installed with Power Pack
(mwConnect PSC-AC-PP-700 or PSC-AC-PP-900:) - Single Fixture**



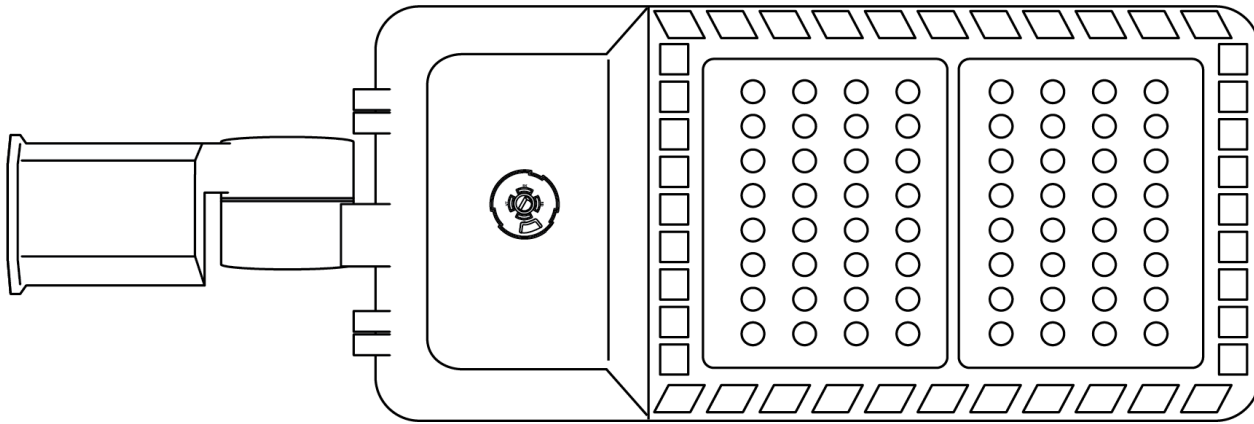
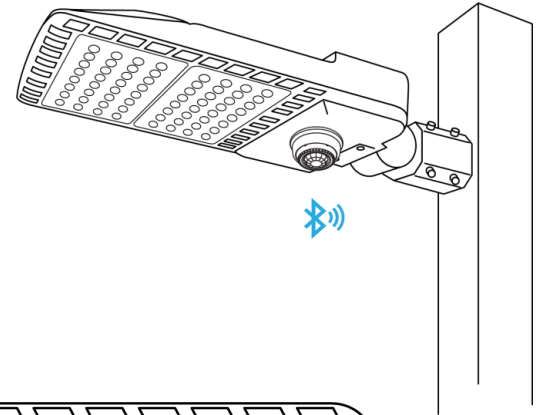
ZKV Receptacle on outside of fixture

Drawings Are Not To Scale



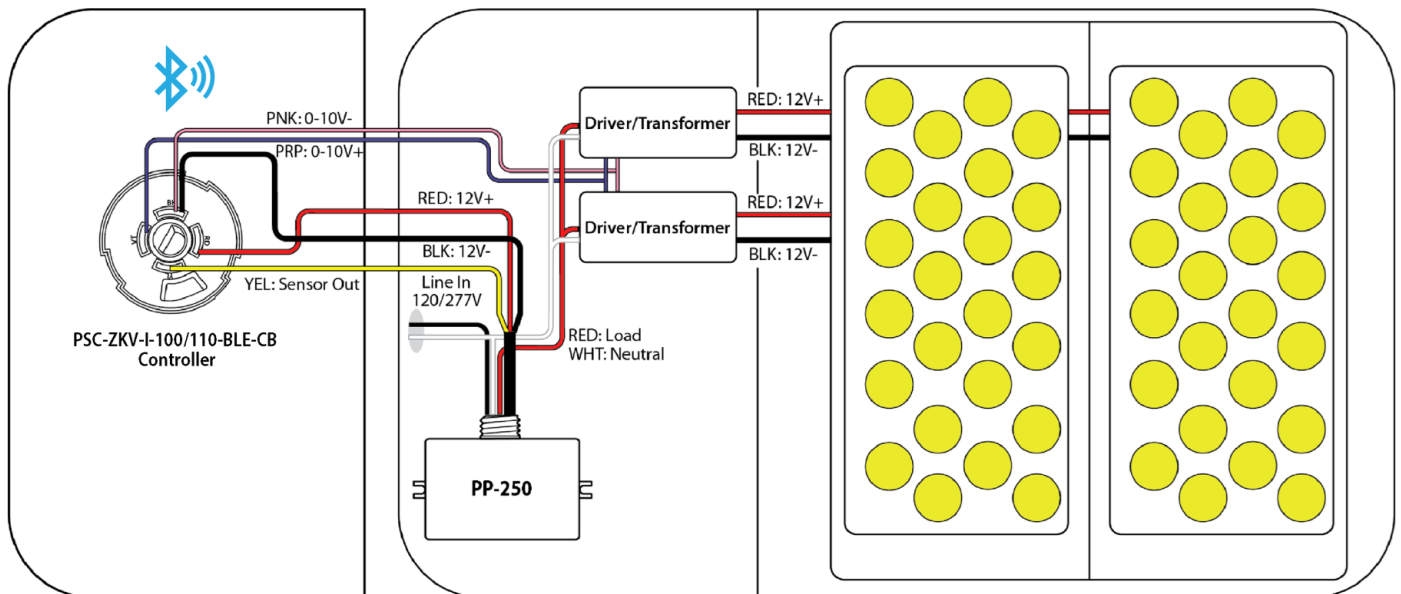
ZKV-I Receptacle with PP-700 power pack, and LED dimmable driver
(open wiring compartment)

Example Application: PSC-ZKV Device Installed with Power Pack (mwConnect PSC-AC-PP250) Single Fixture with Multiple Drivers



ZKV Receptacle on outside of fixture

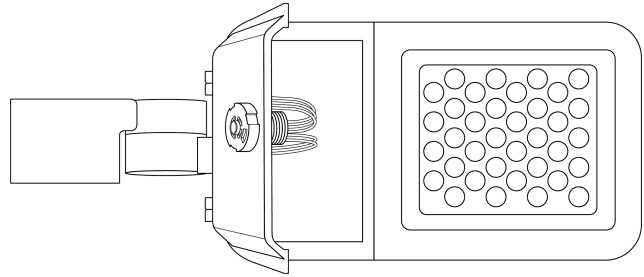
Drawings Are Not To Scale



ZKV Receptacle with PP-250 power pack, and LED driver (open wiring compartment)

Example Application: PSC-ZKV Device Installed with 0-10V Dim-To-Off Driver with 12VDC Auxiliary Output

ZKV Receptacle on outside of fixture



Drawings Are Not To Scale

