

TruBlu Mesh Compact 0-10V Connectorized Wireless Controller

Overview

- Single Channel Controller with 0-10VDC Dimming Output
- Mounts to 1/2" Knockout (Light Fixture or Enclosure)
- Compatible with Bluetooth® SIG Mesh Systems
- Sensor/Control Output (Active High) for Relay/Load Control
- Compact Design
- Powered by 12 to 24 VDC
- Features High and Low-End Trim Adjustment, Zoning & Continuous Dimming
- Energy Monitoring and Scheduling with a TruBlu™ Gateway



Applications

The PSC-ZMV-WCM-100-BLE-SR is a Single Channel Wireless Fixture Controller with active high output for relay control.

The controller mounts in a 1/2" knockout and secured by the included option clips or via the threaded body. The product includes a connector-based wiring harness to ease installation.

This device is controlled wirelessly via Bluetooth® Mesh technology allowing for wireless dimming of luminaires. The compact size ensure a minimal installation in a luminaire or enclosure.

Accessories

Power Pack: The PSC-ZMV-WCM-100-BLE-SR operates on 12-24VDC input power and requires a separate mwConnect power pack. See mwConnect line of Power Packs and Power Supplies.

Alternatively, the unit can also operate with a driver that has an auxiliary power output (12 or 24VDC).

Operation

TruBlu™ Mesh Controls: Qualified by Bluetooth SIG for its Bluetooth Mesh 1.0.1 specification, the controller connects to a Bluetooth mesh network and is accessed via the TruBlu web portal or mobile app for initial design, setup and scheduling, as well as subsequent parameter adjustments.

Advanced functionality such as energy monitoring, and demand response is available with the TruBlu Gateway (ordered separately).

1-Channel: Outputs 0-10 dimming channel for driver control.

Relay Control: 10-22VDC active high output to control relays or other control circuitry.

See TruBlu™ Commissioning User Manual for more information.

Summary

Product Type:
Single Channel Wireless Fixture Controller

Input Voltage | Current Consumption:
12 to 24 VDC | 50 mA

0-10VDC Output: 30mA Current Sinking

Load Control Output: 10 to 22 VDC 30mA
Control Signal (Active High)

Mounting: Fixture or Enclosure (1/2" Knockout)

Max Bluetooth Range¹:
100ft (30.4m)

Operating Temperature:
-40°F to 158°F (-40°C to 70°C)

Storage Temperature:
-40°F to 185°F (-40°C to 85°C)

Relative Humidity:
90-95% non-condensing

Color: White

Warranty: 5 years

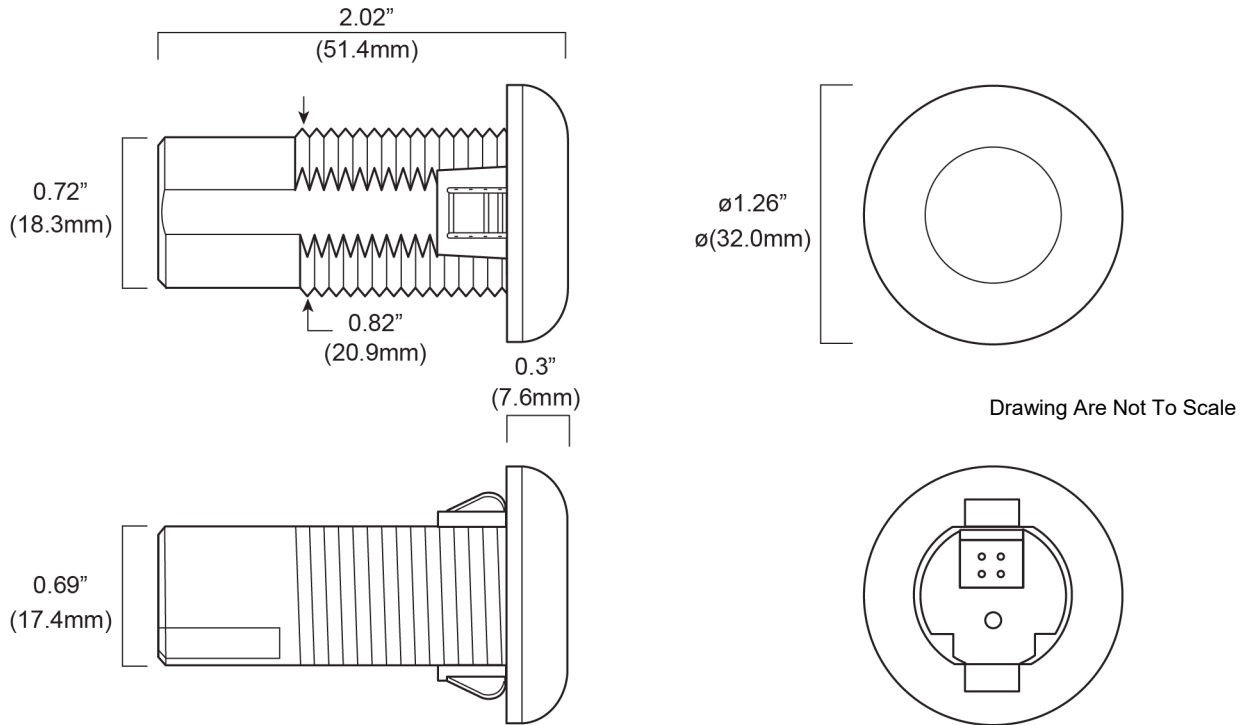
Note:

1. Bluetooth Range is highly dependent on the integration of fixtures, surrounding environment and conditions. It is recommended to conduct testing for Bluetooth range accuracy.

Project

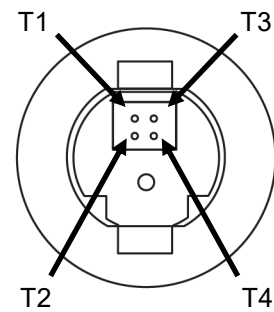
Location/Type

Physical Dimensions

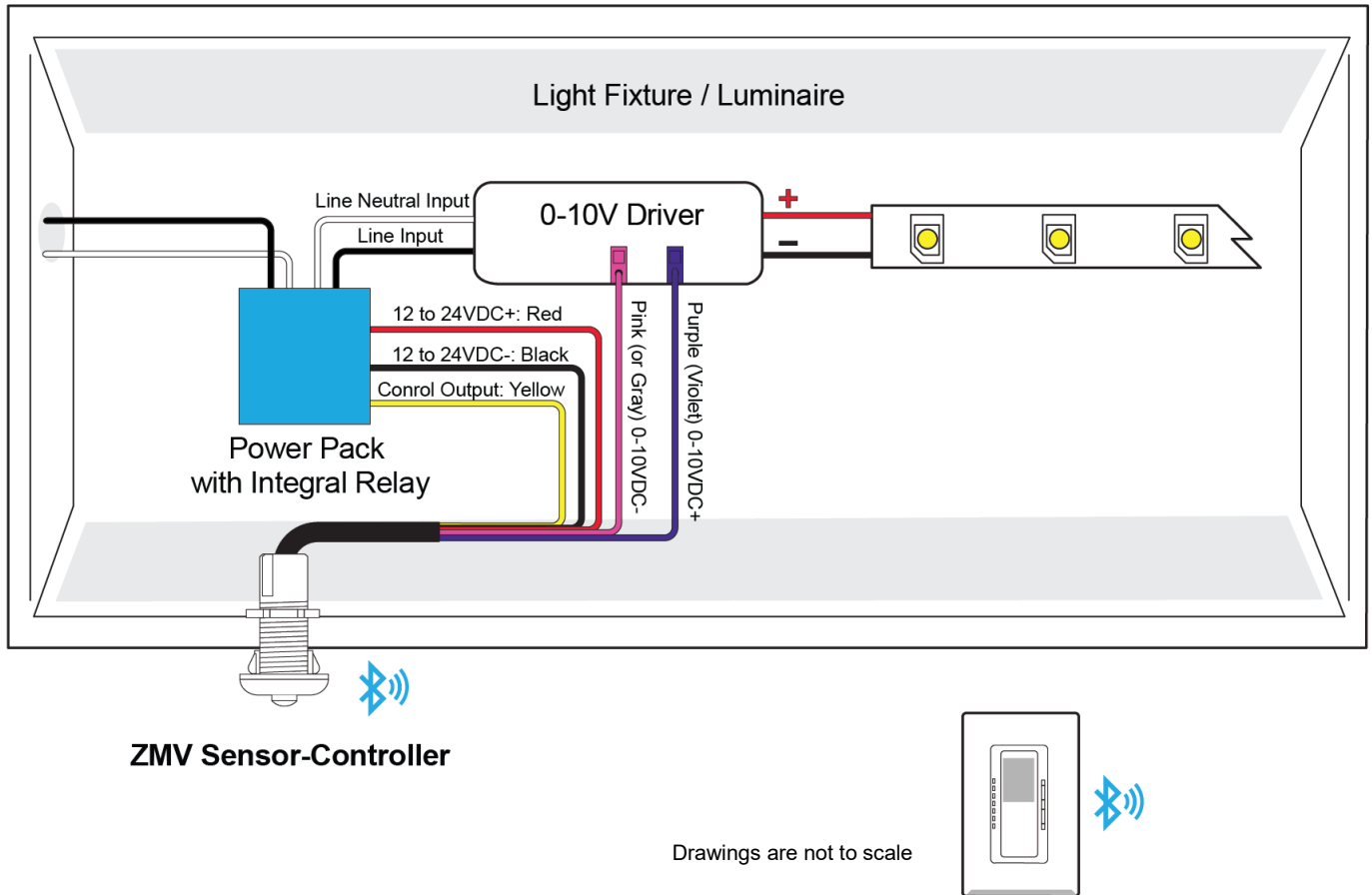


Controller Wiring

Tab/Slot	Designation	Notes
T1	12-24VDC+ Power To Controller	Red Wire (22AWG)
T2	12-24VDC- Power Common & 0-10VDC- Dimming Common	Black Wire (22AWG)
T3	0-10VDC+ Dimming Output	Purple/Violet Wire (22AWG)
T4	10-22VDC Load Control Output (Active High)	Yellow Wire (22AWG)



Example Application: Controller Installed with 0-10V Driver and 12 to 24VDC Power Pack



How To Order

Model No.	Description	Input Voltage	Output
PSC-ZMV-WCM-100-BLE-SR	Luminaire Controller with 0-10V Dimming, TruBlu™ Mesh Technology White Finish	12-24VDC	Control High 0-10V Dimming

Design and specifications are subject to change without notice.