

Wireless Fixture Controller with Quick Connector



For Indoor Or Outdoor Use
Receptacle Sold Separately

Overview

- Bluetooth® NLC Certified
- 1-Channel 0-10VDC Dimming
- Mounts On Fixture
- High-End Trim, Zoning, Continuous Dimming
- Optional Photocell (-110 & -210 models)
- Z10 0-10V or Zhaga Book 18 Base Options
- Optional Load Control Output (active high)
- IP65 Outdoor And Indoor Applications
- Quick Connector For Easy Installation
- Powered by 12-24VDC

Applications

The PSC-ZKV-WCM products are a series of 1-Channel Wireless Fixture Controllers. Two different base versions are available for flexibility. The Z10 Base (-100 & -110) models have active high outputs for relay control.

The controllers are IP65 rated for exterior use. They are suitable for a variety of indoor and outdoor applications in temperatures ranging from -40° to 70°C. The -110 or -210 models also have an integral photosensor.

These devices are Bluetooth® NLC certified and controlled wirelessly via Bluetooth Mesh technology allowing for wireless dimming of luminaires. The compact size allows for seamless integration to the fixture.

Accessories

The PSC-ZKV-WCM controllers require 12-24 VDC power to operate. See the Wiring Table for designation of wiring tabs/slots.

Alternatively, the unit can also operate with a driver that has an auxiliary output (12 or 24VDC).

Operation

TruBlu™ Mesh Controls: The PSC-ZKV-WCM controller is a Bluetooth NLC certified device by the Bluetooth SIG and offers true multi-vendor interoperability. Configuration of the device and mesh network is accomplished via the TruBlu web portal or iOS mobile app. The app is used for initial setup and subsequent parameter adjustment.

Advanced functionality such as energy monitoring, and demand response is available with the TruBlu Gateway (ordered separately). See TruBlu™ Commissioning User Manual for more information.

1-Channel: Outputs 0-10 dimming channel for driver control.

Relay Control: 10-22VDC active high output to control relays or other control circuitry (-100 or -110 models only).

Photosensor: An integral photosensor (-110 or -210 models only) provides ambient light level sensing for automatic control of daytime or nighttime designated scenarios.

Quick Connector: The controller mounts to a Z10 0-10V receptacle (mwConnect part# ZKV-R1L) or Zhaga Book 18 receptacle. One receptacle is required for mounting each controller.



Summary

Product Type:
1-Channel Fixture Controller

Input Voltage | Current Consumption:
12-24 VDC | 100 mA

0-10VDC Output: 30 mA

Load Control Output—Active High
Vin-2.5 V 30 mA (-100 & -110 models only)

Fixture Mount: Quick-Connect receptacle,
sold separately

Max Bluetooth Range¹:
100ft (30.4m)

Operating Temperature:
-30° C to 70°C

Storage Temperature:
-40° C to 85°C

Relative Humidity:
90-95% non-condensing at 30°C

Color: Brown (standard default), Black,
Gray or White

Warranty: 5 years

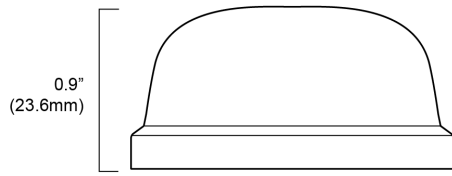
Note:

1. Bluetooth Range is highly dependent on the integration of fixtures, surrounding environment and conditions. It is recommended to conduct testing for range accuracy.

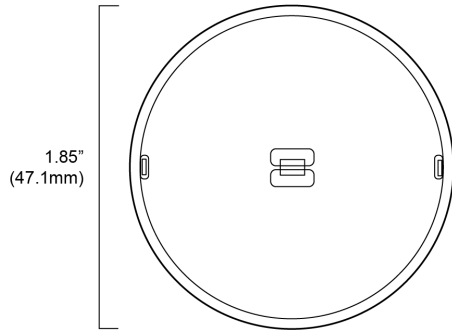
Project

Location/Type

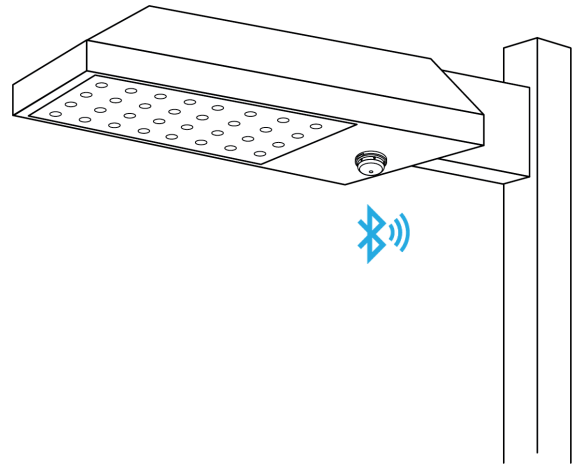
Physical Dimensions



Front View

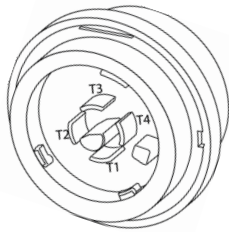


Top View

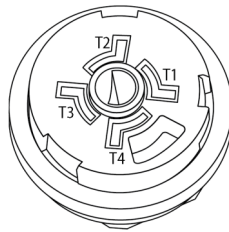


Drawings are not to scale

Product Wiring—Z10 0-10V Base (-100 & -110) Models



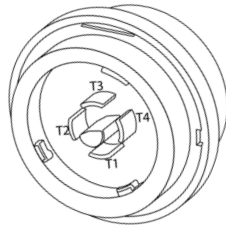
View of Back of Device



View of Z10 0-10V Device Receptacle

Tab/Slot	Designation	Notes
T1	12-24VDC+ Power to Sensor-Controller	Red Wire (ZKV-R1L Receptacle)
T2	12-24VDC- Power and 0-10VDC-/Common	Black Wire (ZKV-R1L Receptacle)
T3	0-10VDC+ Control Signal from Sensor-Controller	Purple (Violet) Wire (ZKV-R1L Receptacle)
T4	10-22VDC 30mA Load Control Output (Active High)	Yellow Wire (ZKV-R1L Receptacle)

Product Wiring—Zhaga Book 18 Base (-200 & -210) Models



View of Back of Device



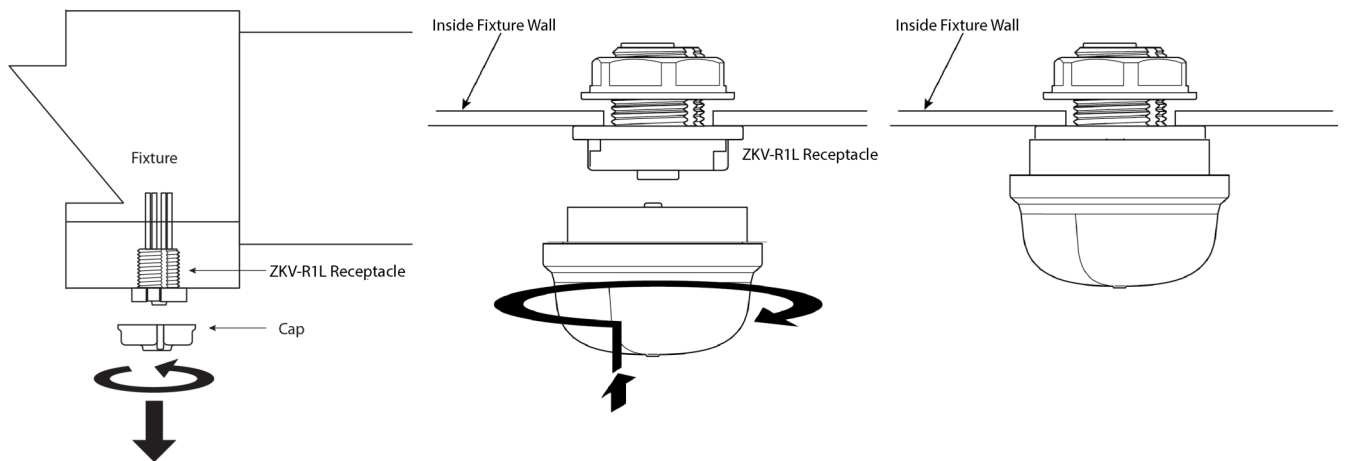
View of Zhaga Book 18 Device Receptacle

Tab/Slot	Designation
T1	12-24VDC+ Power to Sensor-Controller
T2	12-24VDC- Power and 0-10VDC-/Common
T3	Reserved
T4	0-10VDC+ Control Signal from Sensor-Controller

For Wiring Diagrams featuring the PSC-ZKV product series, visit the following link:

<http://mwconnect.us/wiring/PSC-ZKV>

Installation Of Sensor-Controller



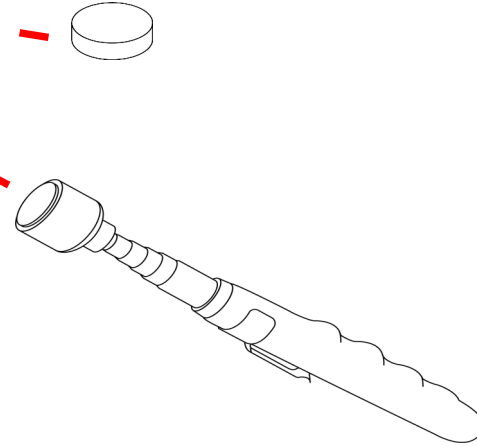
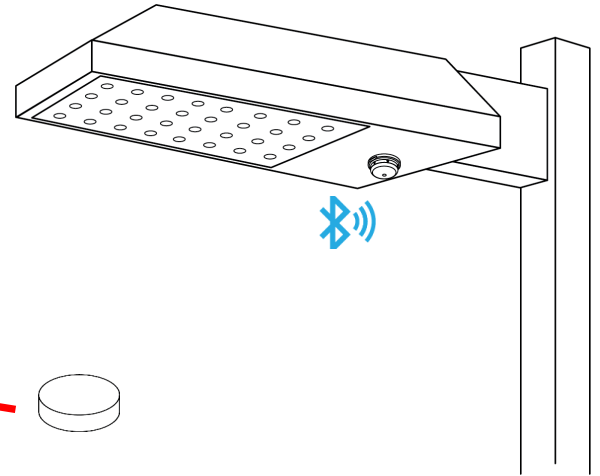
To install a ZKV device, first remove the protective cap on the ZKV-1RL or Zhaga Book 18 receptacle by pushing up and rotating counterclockwise.

To install ZKV devices insert, push in and rotate clockwise to lock. No tools are required. Luminaires can be easily and quickly upgraded.

The receptacle for ZKV devices is typically installed by luminaire manufacturer and is shipped to job site with a protective cap.

Reset Instructions

Using a magnet (with 20lb pull strength), hold the magnet against the dot labeled RST (reset).



Once the fixture associated with the controller has flashed 3 times then stayed on, remove the magnet. The controller is now reset to factory conditions and ready to be reprogrammed.

Model Number Matrix

PSC	ZKV	WCM	___	BLE	SR	___
PSC	ZKV 0-10V Outdoor Device	WCM Wireless Controller	100 Z10 0-10V Base	BLE Wireless	SR TruBlu Mesh Compatible	BN Brown Finish
			110 Z10 0-10V Base Photo Sensor			WT White Finish
			200 Zhaga Book 18 Base			BK Black Finish
			210 Zhaga Book 18 Base Photo Sensor			GY Gray Finish

Example:

PSC-ZKV-WCM-110-BLE-SR-BN

Design and specifications are subject to change without notice.