

Casambi Mesh Compact DALI Book 20 Wireless Controller

Overview

- Single Channel DALI Wireless Controller
- Zhaga Book 20 Compliant (Mount to 1/2" Knockout)
- Compatible with Casambi Wireless Mesh Systems
- Features High and Low-End Trim Adjustment, Zoning & Continuous Dimming
- DALI Zhaga D4i Certified
- Compact Design
- ioXt Alliance Cybersecurity Certification



Applications

The PSC-ZBD-WCM-100-BLE-CB is a Single Channel DALI Zhaga Book 20 D4i Wireless Fixture Controller.

The product includes a Book 20 connector-based wiring harness to ease installation. The controller mounts in a 1/2" knockout and is secured by the included optional clips or via the threaded body.

The controller communicates directly with DALI drivers and is controlled wirelessly via Casambi Mesh technology.

Accessories

The PSC-ZBD-WCM-100-BLE-CB controller operates on power from the DALI Bus. See the Wiring Table for designation of wiring tabs/slots.

Operation

Casambi Wireless Mesh Controls: The controller connects to a wireless mesh network via a mobile app, available as iOS or Android, to allow initial setup and subsequent parameters adjustments.

User Interface: Using the mobile app, features include: setup, control real time feedback, and scheduling without a gateway or internet access.

Single Channel Control: The controller provides a single channel of D4i compatible DALI output for driver control.

Quick Connector: The controller is compatible with Zhaga Book 20 C22-T1A and includes a Book 20 wiring harness.

See the mwConnect Casambi Commissioning User Manual for more information.

Summary

Product Type:
Wireless DALI Controller

Input Voltage | Current Consumption:
DALI Bus | 50 mA

DALI: Complies with DALI Zhaga D4i Specifications

Mounting: Zhaga Book 20 C22-T1A (or 1/2" Knockout)

Max Bluetooth Range¹:
100ft (30.4m)

Operating Temperature:
-40°F to 158°F (-40°C to 70°C)

Storage Temperature:
-40°F to 185°F (-40°C to 85°C)

Relative Humidity:
90-95% non-condensing

Color: White

Warranty: 5 years

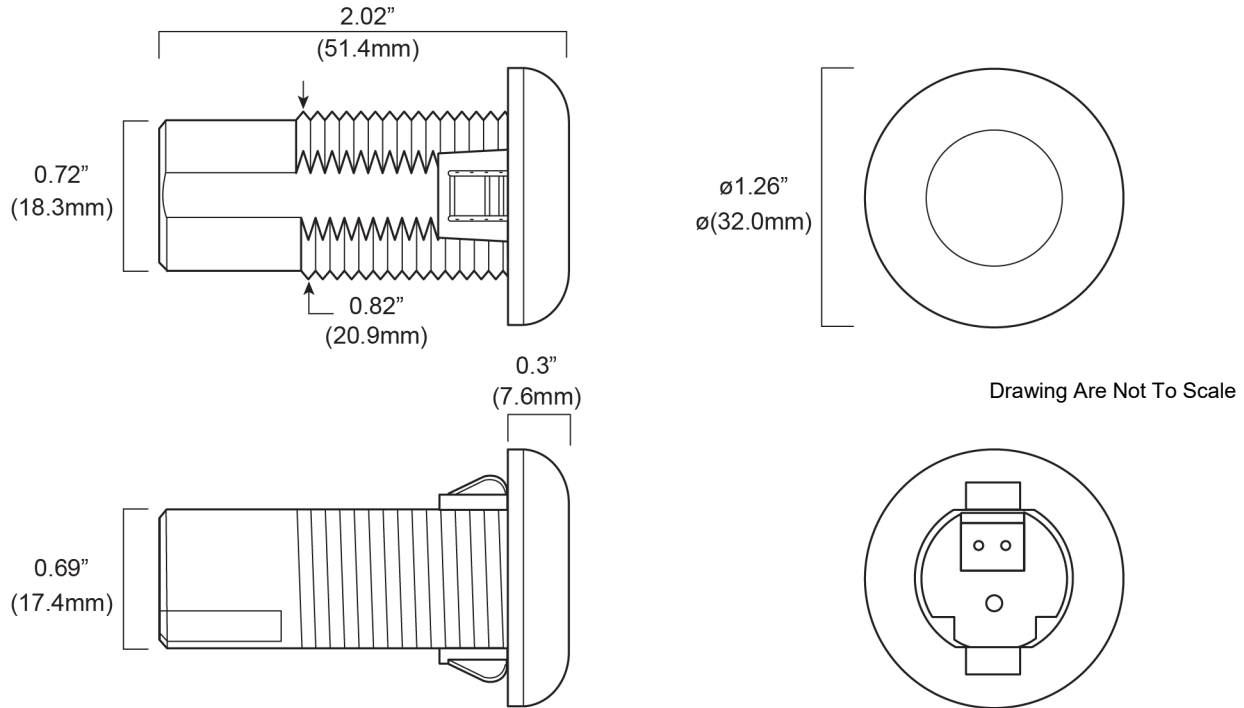
Note:

1. Bluetooth Range is highly dependent on the integration of fixtures, surrounding environment and conditions. It is recommended to conduct testing for Bluetooth range accuracy.

Project

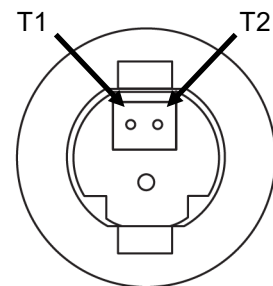
Location/Type

Physical Dimensions

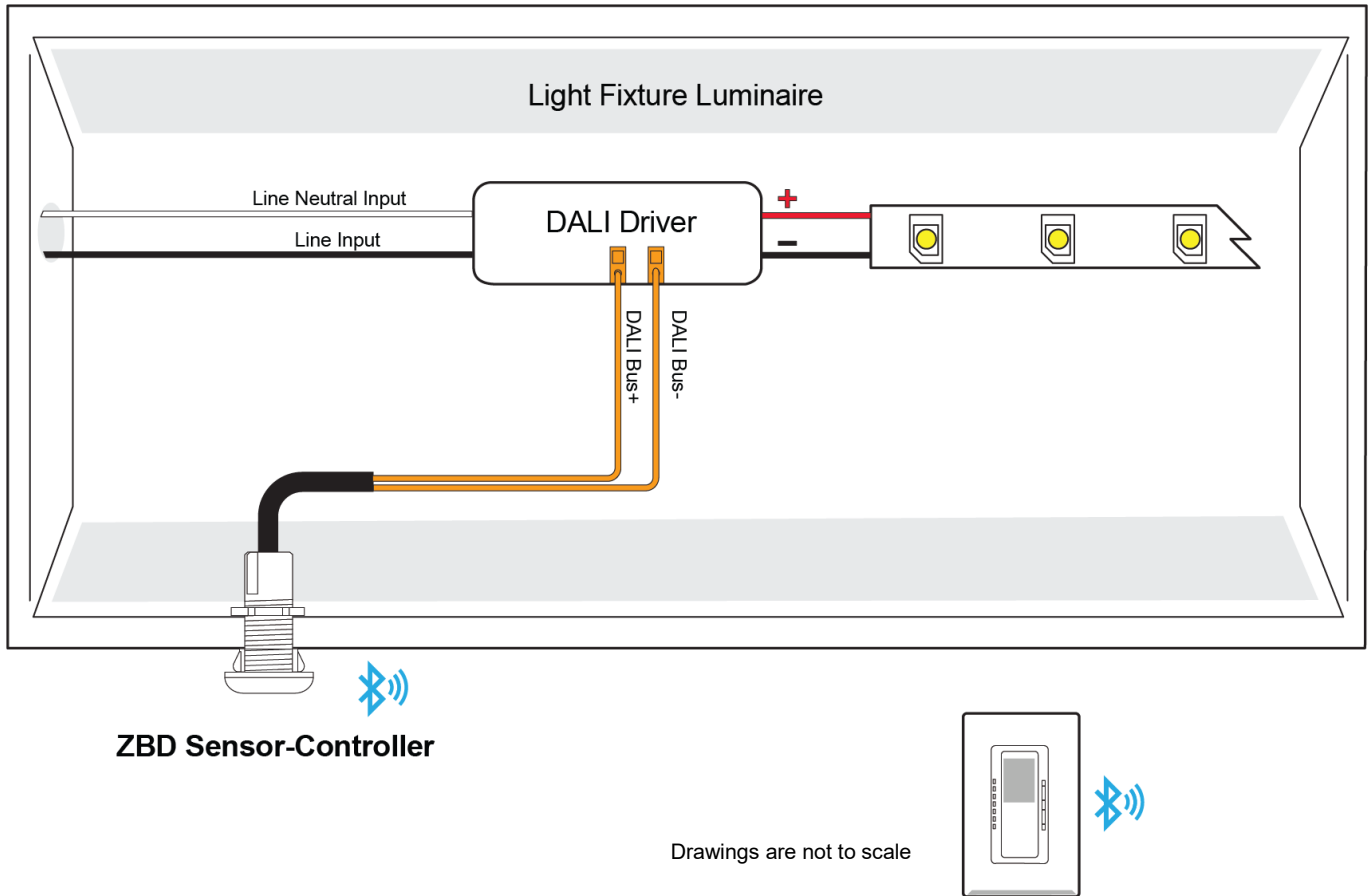


Controller Wiring

Tab/Slot	Designation	Notes
T1	DALI Bus (Communication & Power)	Black Wire (22AWG)
T2	DALI Bus (Communication & Power)	Black Wire (22AWG)



Example Application: Controller Installed with DALI Driver



How To Order

Model No.	Description	Input Voltage	Output
PSC-ZBD-WCM-100-BLE-CB	DALI Luminaire Controller, Casambi Mesh Technology White Finish	DALI Bus (~16VDC)	DALI

Design and specifications are subject to change without notice.