

Casambi Mesh Compact DALI Book 20 Wireless Sensor-Controller

Overview

- Single Channel DALI Wireless Sensor-Controller
- Digital Passive Infrared (PIR) Sensor
- Zhaga Book 20 Compliant (Mount to 1/2" Knockout)
- Compatible with Casambi Wireless Mesh Systems
- Compact Design
- DALI Zhaga D4i Certified
- 360° Sensor Coverage Pattern
- Features High and Low-End Trim Adjustment, Zoning & Continuous Dimming
- ioXt Alliance Cybersecurity Certification



Applications

The PSC-ZBD-I-11N-BLE-CB is a Single Channel DALI Zhaga Book 20 D4i Wireless Fixture Sensor-Controller. The device includes a Passive Infrared occupancy sensor and integral daylight sensor.

The sensor-controller includes a Book 20 connector-based wiring harness to ease installation. The device mounts in a 1/2" knockout and is secured by the included optional clips or via the threaded body.

The product communicates directly with DALI drivers and is controlled wirelessly via Casambi Mesh technology.

Accessories

The PSC-ZBD-I-11N-BLE-CB controller operates on power from the DALI Bus. See the Wiring Table for designation of wiring tabs/slots.

Operation

Casambi Wireless Mesh Controls: The sensor-controller connects to a wireless mesh network via a mobile app, available as iOS or Android, to allow initial setup and subsequent parameters adjustments.

User Interface: Using the mobile app, features include: setup, control real time feedback, and scheduling without a gateway or internet access.

Single Channel Control: The sensor-controller provides a single channel of D4i compatible DALI output for driver control.

Daylight Sensor: Features an integral Photocell for daylight control integration.

Quick Connector: The device is compatible with Zhaga Book 20 C22-T1A and includes a Book 20 wiring harness.

See the mwConnect Casambi Commissioning User Manual for more information.

Note:

1. The application/absolute range of the sensor is subject to variation because of different types of clothing, backgrounds, and ambient temperature. It is recommended to conduct testing for range accuracy.

Summary

Product Type:
Wireless DALI PIR Sensor and Controller

Input Voltage | Current Consumption:
DALI Bus | 50 mA

DALI: Complies with DALI Zhaga D4i Specifications

Mounting: Zhaga Book 20 C22-T1A (or 1/2" Knockout)

Mounting Height: 8 to 15ft (2.4 to 4.6m)

Max Sensor Range¹:
15ft (4.6m) Radius

Max Bluetooth Range²:
100ft (30.4m)

Operating Temperature:
-40°F to 158°F (-40°C to 70°C)

Storage Temperature:
-40°F to 185°F (-40°C to 85°C)

Relative Humidity:
90-95% non-condensing

Color: White

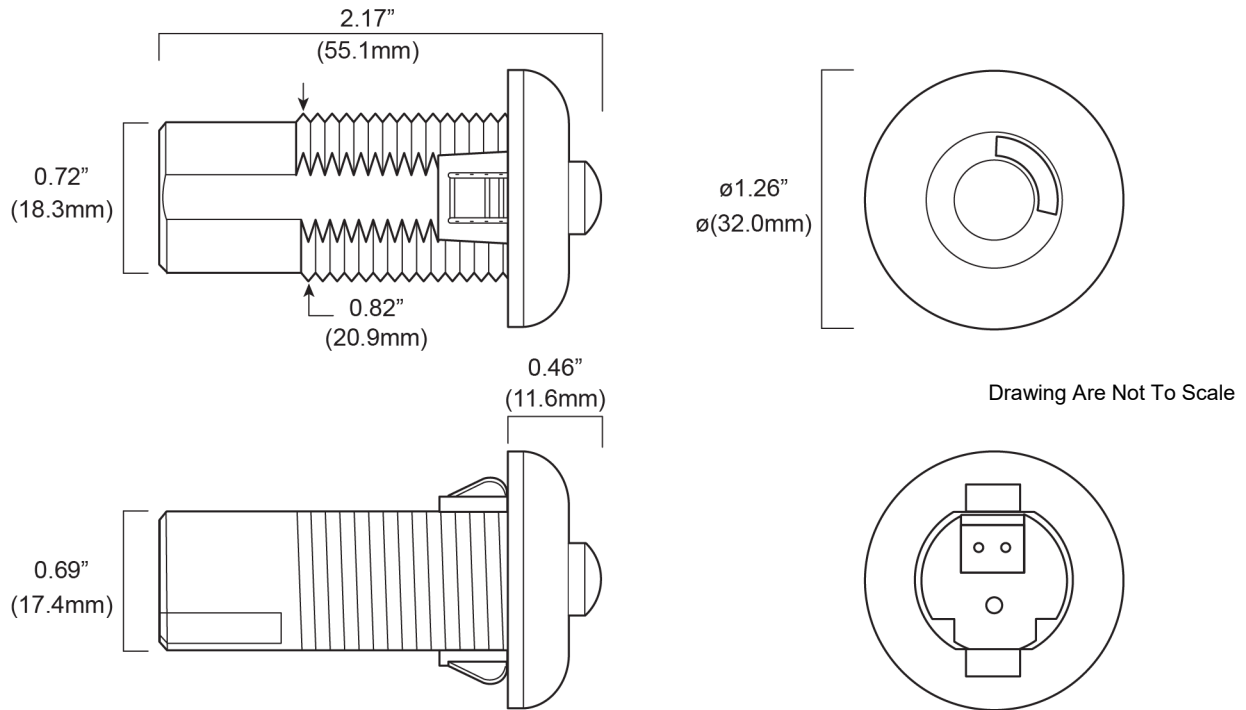
Warranty: 5 years

2. Bluetooth Range is highly dependent on the integration of fixtures, surrounding environment and conditions. It is recommended to conduct testing for Bluetooth range accuracy.

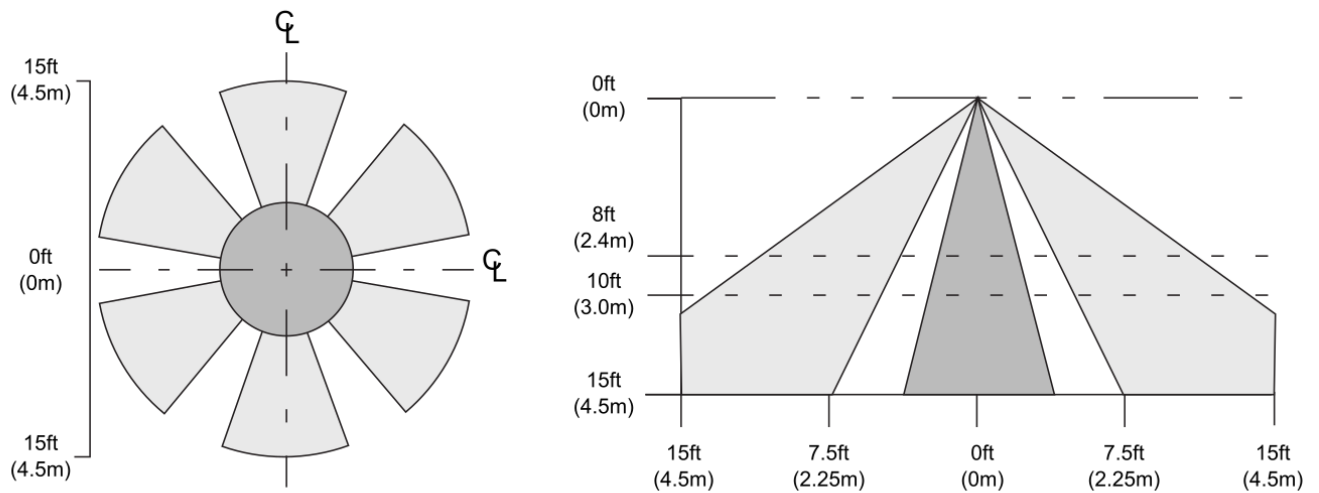
Project

Location/Type

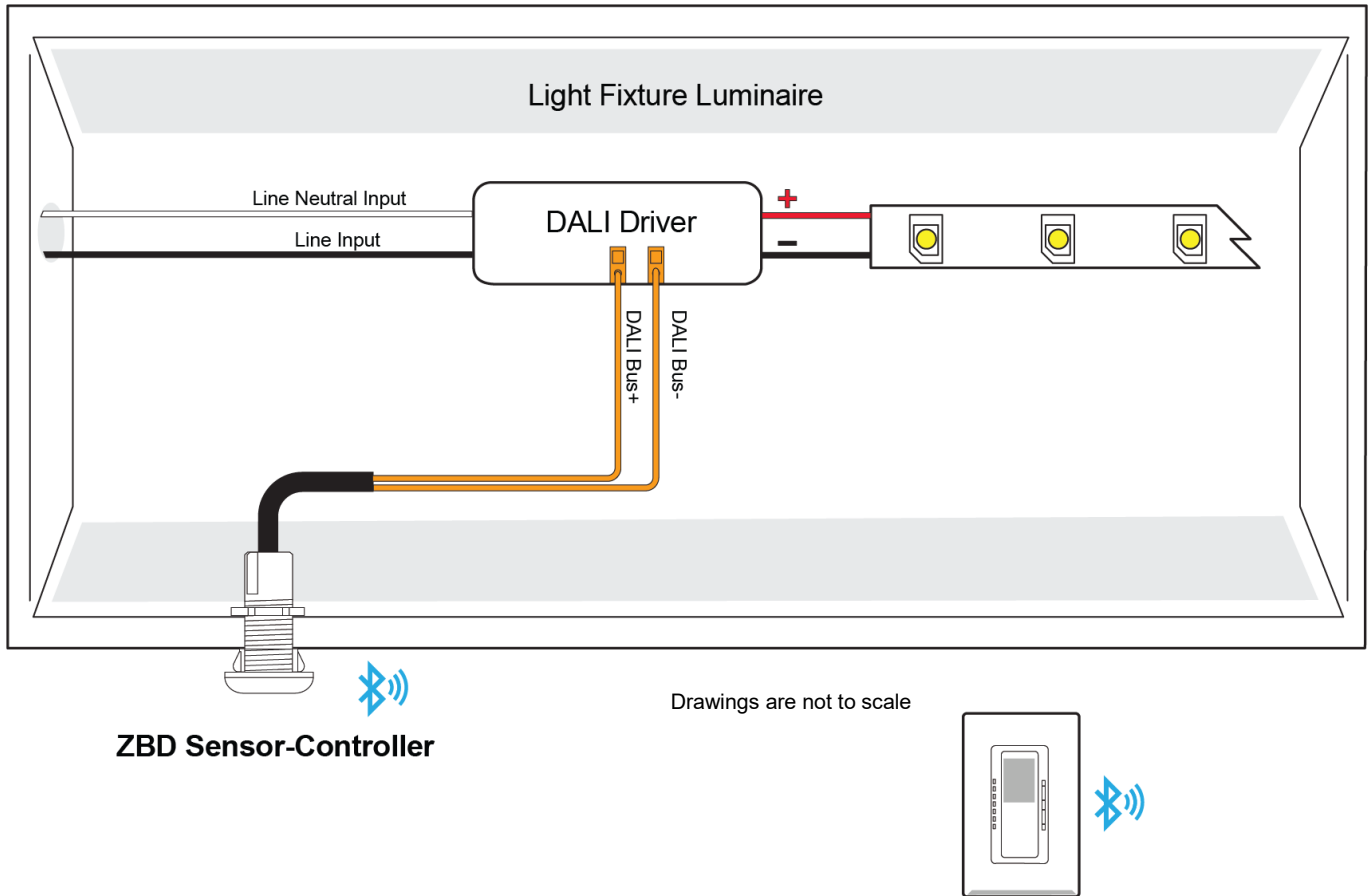
Physical Dimensions



PIR Sensor Pattern

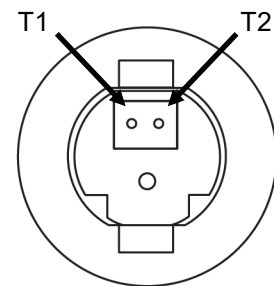


Example Application: Sensor-Controller Installed with DALI Driver



Sensor-Controller Wiring

Tab/Slot	Designation	Notes
T1	DALI Bus (Communication & Power)	Black Wire (22AWG)
T2	DALI Bus (Communication & Power)	Black Wire (22AWG)



How To Order

Model No.	Description	Input Voltage	Output
PSC-ZBD-I-11N-BLE-CB	DALI Low Bay PIR Sensor-Controller with Daylight Sensor, Casambi Mesh Technology White Finish	DALI Bus (~16VDC)	DALI

Design and specifications are subject to change without notice.