

# Casambi Mesh DALI Outdoor Controller

## Overview

- Complies with DALI D4i Specifications
- Single Channel DALI Wireless Controller
- Mounts to Light Fixture/Luminaire via Zhaga Book 18 Quick Connect Receptacle
- Compatible with Casambi Wireless Mesh Systems
- Optional Photocell available for Ambient Light Detection (-110 & -210 models)
- Features High-End and Low-End Trim Adjustment, Zoning & Continuous Dimming
- IP65 Rated for Outdoor or Indoor Applications
- 24VDC or DALI Bus Powered Options
- ioXt Alliance Cybersecurity Certification



For Indoor or Outdoor Use  
Receptacle Sold Separately

## Applications

The PSC-ZAD-WCM products are a series of Single Channel DALI D4i Wireless Fixture Controllers.

The controllers are IP65 rated and suitable for exterior use. The -110 and -210 versions also have an integral photosensor for ambient light detection.

These devices communicate directly with DALI drivers and are controlled wirelessly via Casambi Mesh technology allowing for wireless dimming of luminaires. The compact size allows for seamless integration to the fixture.

Two Power Input options are available. The Aux Powered (-100 & -110) models require 24VDC power to operate. The DALI Bus Powered (-200 & -210) models use DALI Bus power to operate. See the product wiring information for wiring designations.

## Operation

**Casambi Mesh:** The ZAD-WCM controller is compatible with the Casambi wireless mesh network and configured via a mobile app, available as iOS or Android. The app is used for initial setup and subsequent parameter adjustment.

**User Interface:** Additional features available via the mobile app include real time control and feedback, and scheduling without a gateway or internet access.

**Single Channel Control:** The controller provides a single channel of D4i compatible DALI output for driver control.

**Photosensor:** An integral photosensor (-110 or -210 models only) provides ambient light level sensing for automatic control of daytime or nighttime designated scenarios.

**Quick Connector:** The controller mounts to a Zhaga Book 18 compliant receptacle (sold separately - mwConnect part #PSC-ZAD-R1L). One receptacle is required for mounting each controller.

See the Casambi Mesh Commissioning User Manual for more information.



E341446

## Summary

Product Type:  
Wireless DALI Controller

Input Voltage | Current Consumption:  
24VDC | 100 mA max (Aux Powered)  
16VDC | 100 mA max (DALI Bus Powered)

DALI: Complies with DALI D4i Specifications

Mounting: Mounts to Zhaga Book 18 receptacle (PSC-ZAD-R1L) sold separately

Max Bluetooth Range<sup>1</sup>:  
450ft (137m)

Operating Temperature:  
-40°F to 158°F (-40°C to 70°C)

Storage Temperature:  
-40°F to 185°F (-40°C to 85°C)

Relative Humidity:  
90-95% non-condensing at 30°C

Color: Dark Brown, Black or White

Warranty: 5 years

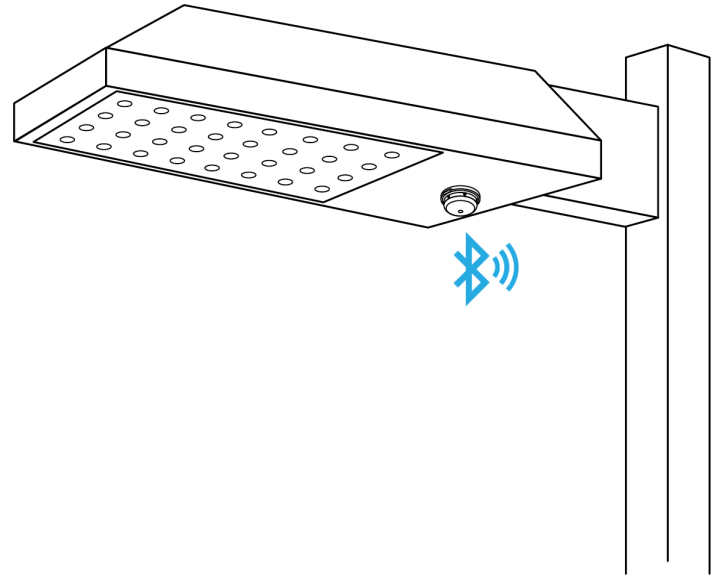
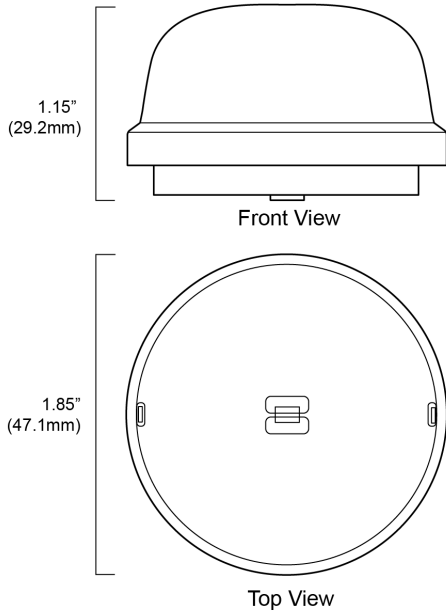
Note:

1. Bluetooth Range is highly dependent on the integration of fixtures, surrounding environment and conditions. It is recommended to conduct testing for Bluetooth range accuracy.

Project

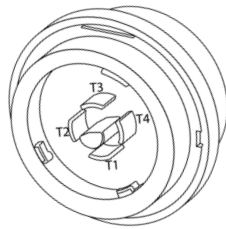
Location/Type

Physical Dimensions



Drawings Are Not To Scale

Product Wiring



View of Back of Device



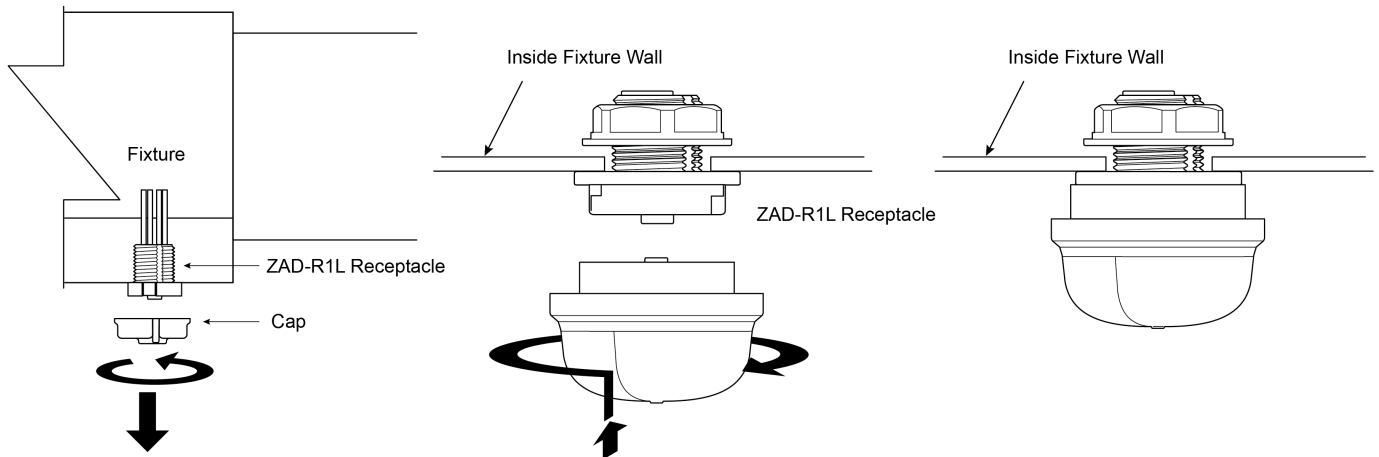
View of Zhaga Book 18  
Device Receptacle

Tab/Slot	Wiring Designation	
	-100 & -110 Aux Powered Models	-200 & -210 DALI Bus Powered Models
T1	24VDC+ Power to Sensor-Controller	Reserved
T2	DALI- (Negative DALI Bus) & 24VDC-Ground Power to Sensor-Controller	DALI (16VDC DALI Bus) Polarity Independent
T3	DALI+ (Positive DALI Bus)	DALI (16VDC DALI Bus) Polarity Independent
T4	Reserved	Reserved

For Wiring Diagrams featuring the PSC-ZAD product series, visit the following link:

<http://mwconnect.us/wiring/PSC-ZAD>

**Installation of Device**



To install a ZAD device, first remove the protective cap on the Zhaga Book 18 receptacle by pushing up and rotating counterclockwise.

To install ZAD devices insert, push in and rotate clockwise to lock. No tools are required. Luminaires can be easily and quickly upgraded.

The receptacle for ZAD devices is typically installed by luminaire manufacturer and is shipped to job site with a protective cap.

**Model Number Matrix**

PSC	ZAD	WCM	___	BLE	CB	___
PSC	ZAD	WCM	100	BLE	CB	BN
	DALI Outdoor Device	Wireless Controller	Aux Powered	Wireless	Casambi Mesh Compatible	Brown Finish
			110			WT
			Aux Powered Photo Sensor			White Finish
			200			BK
			DALI Bus Powered			Black Finish
			210			GY
			DALI Bus Powered Photo Sensor			Gray Finish

Example:

**PSC-ZAD-WCM-110-BLE-CB-BN**

Design and specifications are subject to change without notice.