

Casambi Mesh DALI Outdoor Controller

Overview

- Complies with DALI D4i Specifications
- Single Channel DALI Wireless Controller
- Mounts to Light Fixture/ Luminaire via Zhaga Book 18 Quick Connect Receptacle
- Compatible with Casambi Wireless Mesh Systems
- Optional Photocell available for Ambient Light Detection (-110 Version)
- Features High-End and Low-End Trim Adjustment, Zoning & Continuous Dimming
- IP65 Rated for Outdoor or Indoor Applications
- 24VDC Powered
- ioXt Alliance Cybersecurity Certification



For Indoor or Outdoor Use
Receptacle Sold Separately

Applications

The PSC-ZAD-WCM-100-BLE-CB and the PSC-ZAD-WCM-110-BLE-CB are a series of Single Channel DALI D4i Wireless Fixture Controllers.

The controllers are IP65 rated and suitable for exterior use. The PSC-ZAD-WCM-110-BLE-CB version also has an integral photosensor.

These devices communicate directly with DALI drivers and are controlled wirelessly via Casambi Mesh technology allowing for wireless dimming of luminaires. The compact size allows for seamless integration to the fixture.

Accessories

The PSC-ZAD-WCM-100-BLE-CB and the PSC-ZAD-WCM-110-BLE-CB controllers require 24 VDC power via the Auxiliary Input to operate. See the Wiring Table for designation of wiring tabs/slots.

Operation

Casambi Mesh: The ZAD-WCM controller is compatible with the Casambi wireless mesh network and configured via a mobile app, available as iOS or Android. The app is used for initial setup and subsequent parameter adjustment.

User Interface: Additional features available via the mobile app include real time control and feedback, and scheduling without a gateway or internet access.

Single Channel Control: The controller provides a single channel of D4i compatible DALI output for driver control.

Photosensor: An integral photosensor (PSC-ZAD-WCM-110-BLE-CB model only) provides ambient light level sensing for automatic control of daytime or nighttime designated scenarios.

Quick Connector: The controller mounts to a Zhaga Book 18 compliant receptacle (sold separately - mwConnect part #PSC-ZAD-R1L). One receptacle is required for mounting each controller.

See the Casambi Mesh Commissioning User Manual for more information.



LISTED
E341446

Summary

Product Type:
Wireless DALI Controller

Input Voltage | Current Consumption:
24 VDC | 100 mA max

DALI: Complies with DALI D4i Specifications

Mounting: Mounts to Zhaga Book 18 receptacle (PSC-ZAD-R1L) sold separately

Max Bluetooth Range¹:
450ft (137m)

Operating Temperature:
-40°F to 158°F (-40°C to 70°C)

Storage Temperature:
-40°F to 185°F (-40°C to 85°C)

Relative Humidity:
90-95% non-condensing at 30°C

Color: Dark Brown, Black or White

Warranty: 5 years

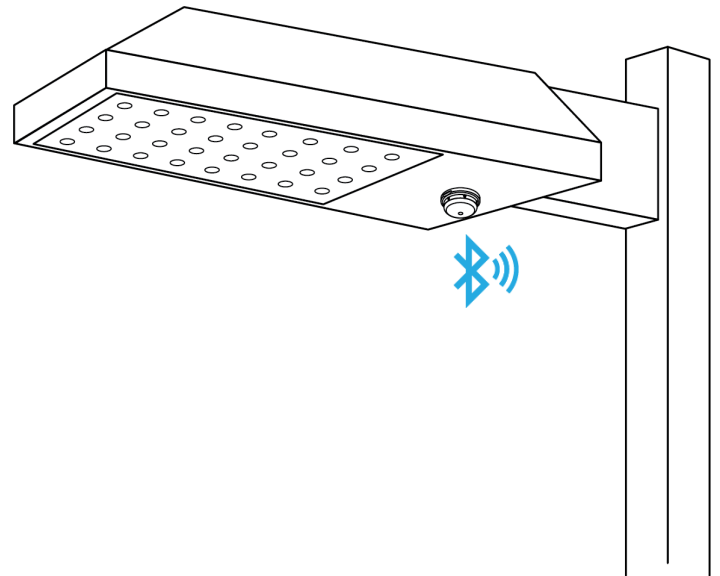
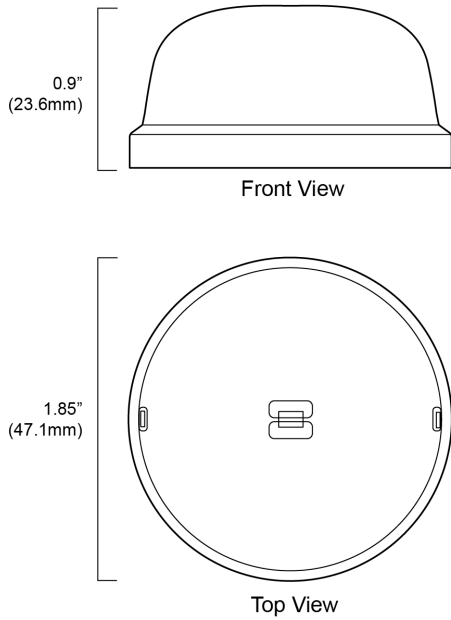
Note:

1. Bluetooth Range is highly dependent on the integration of fixtures, surrounding environment and conditions. It is recommended to conduct testing for Bluetooth range accuracy.

Project

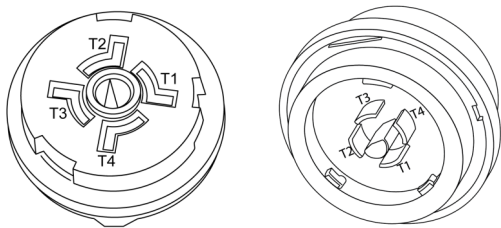
Location/Type

Physical Dimensions



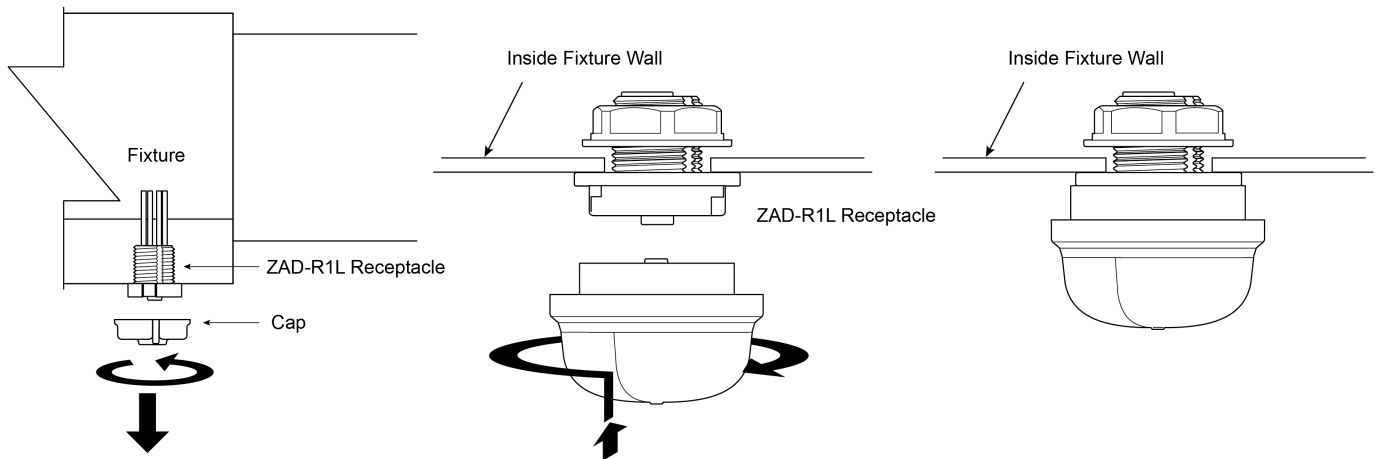
Drawings Are Not To Scale

Installation Of Controller



Tab/Slot	Designation
T1	24VDC+ Power to Controller
T2	DALI- (Negative DALI Bus) & 24VDC- Ground Power to Controller
T3	DALI+ (Positive DALI Bus)
T4	Reserved

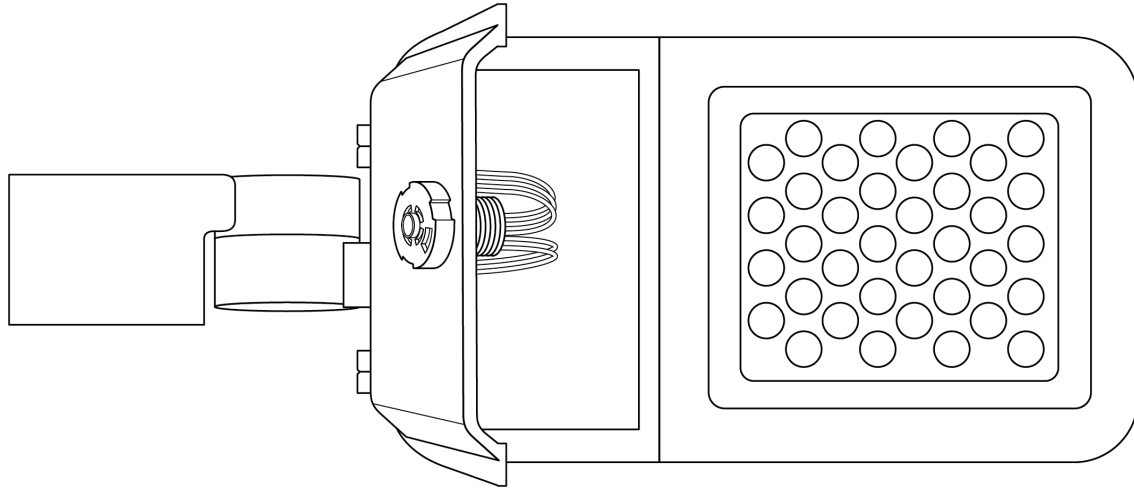
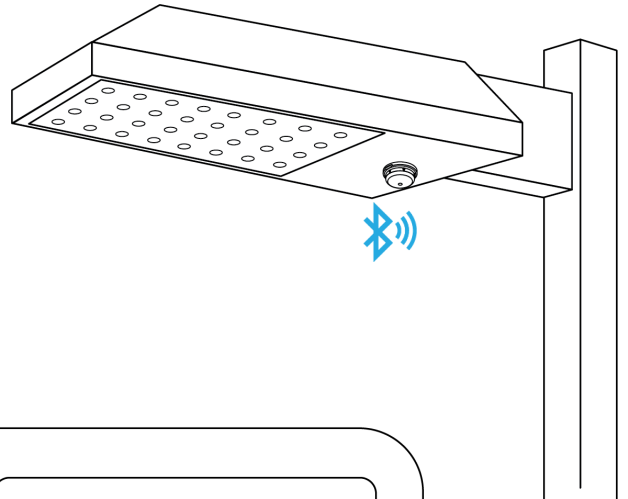
The receptacle for ZAD controller is installed at fixture manufacturer and is shipped to job site with a protective cap.



To install ZAD controller, first remove the protective cap on the Zhaga receptacle by pushing up and rotating counterclockwise.

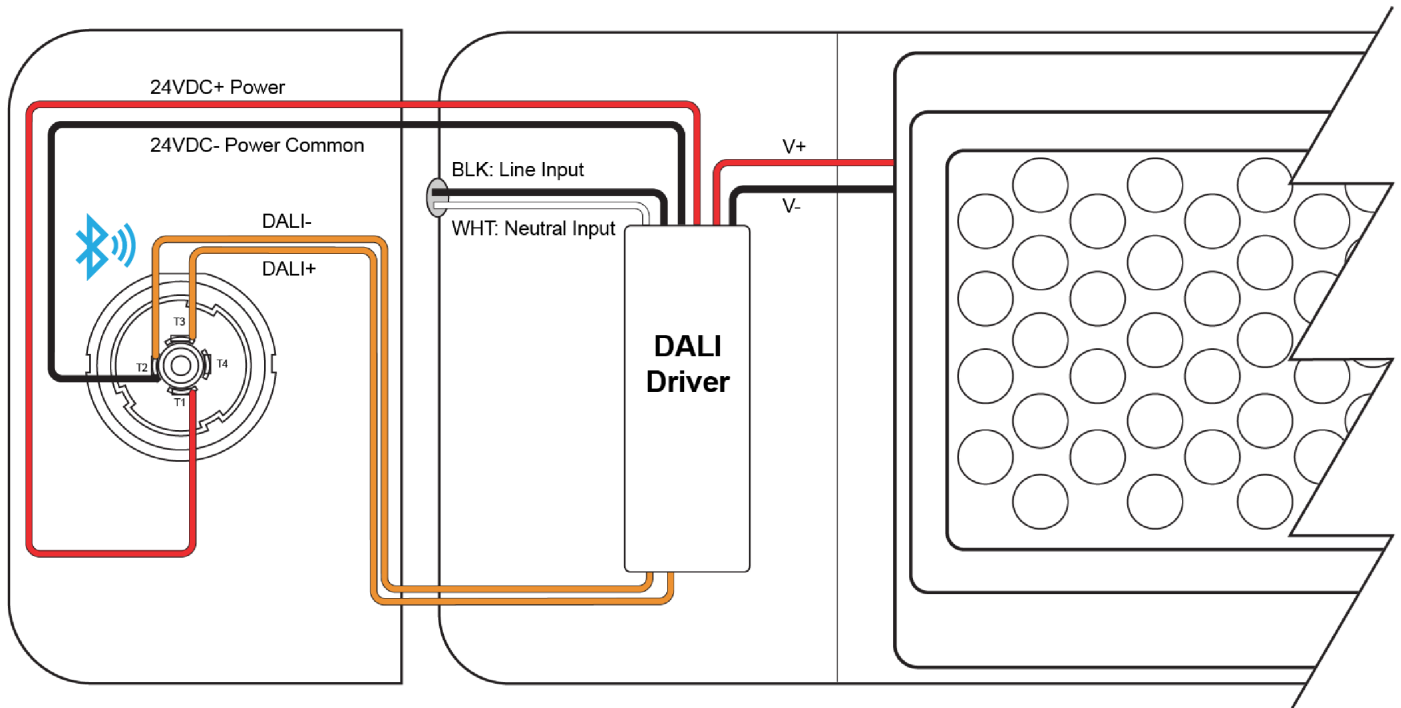
To install ZAD controller insert, push up and rotate to lock. No tools required. Luminaires can be easily and quickly upgraded.

Example Application: Controller Installed with DALI driver

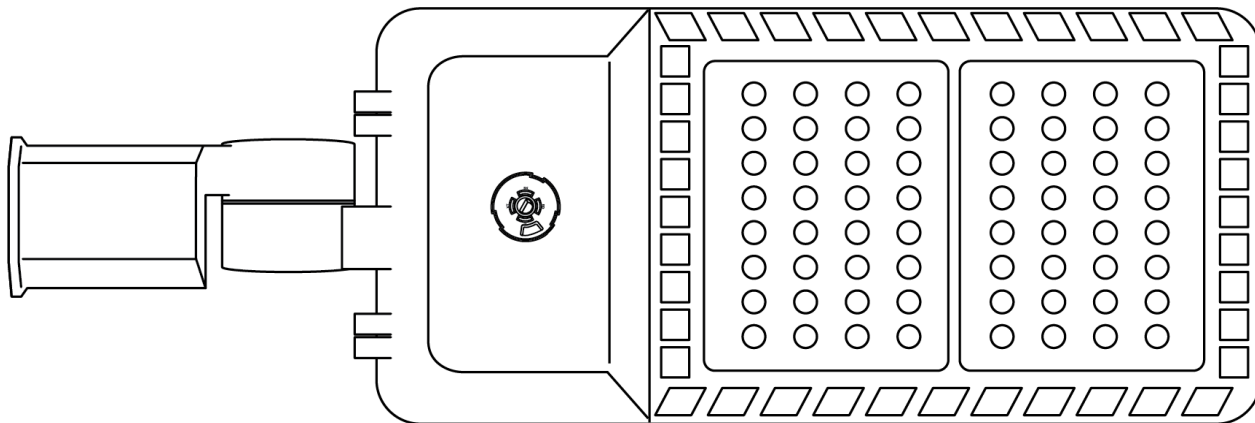
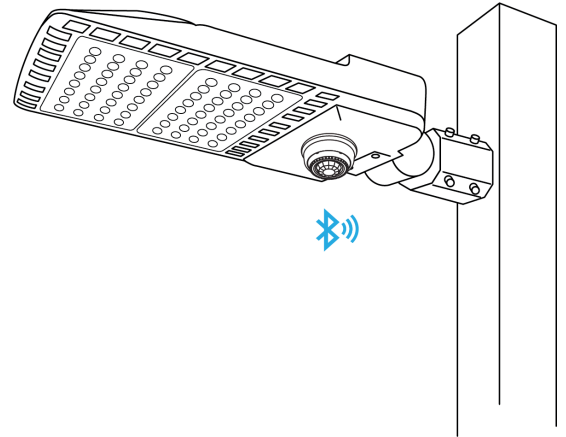


ZAD-R1L Zhaga Book18 receptacle on outside of fixture

Drawings Are Not To Scale

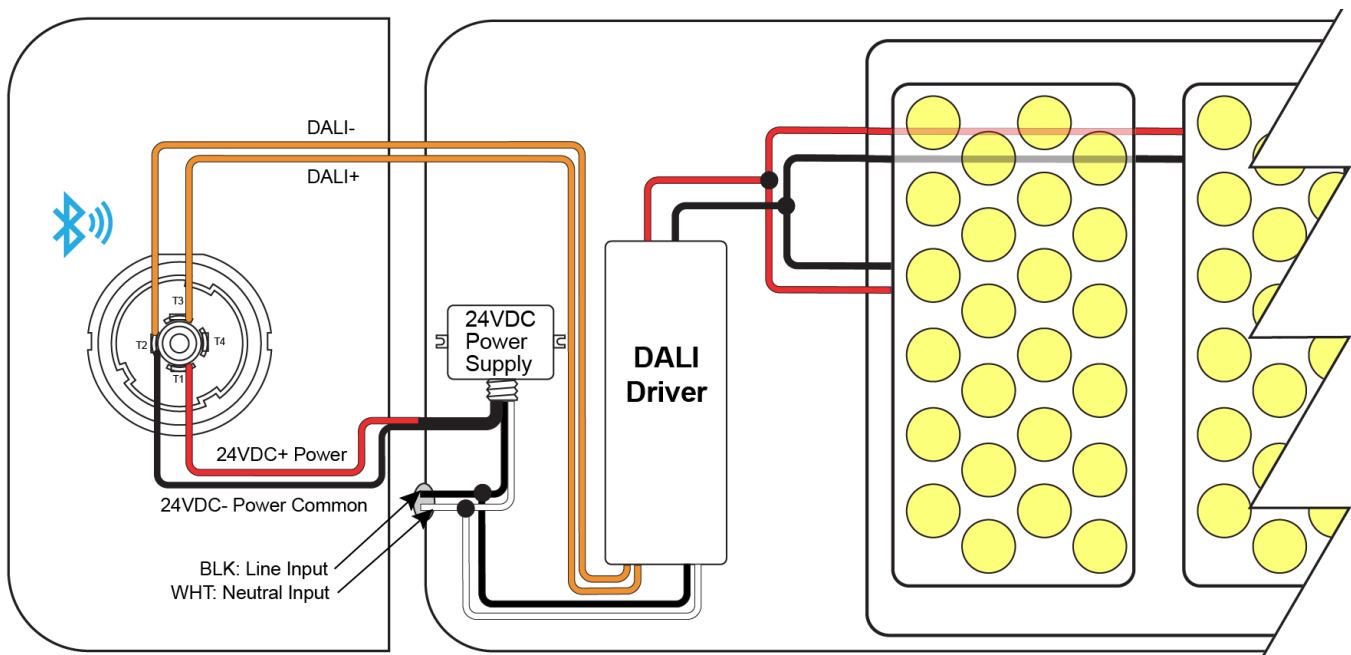


Example Application: Controller Installed with DALI Driver and 24 VDC Power Supply



ZAD-R1L Zhaga Book18 receptacle on outside of fixture

Drawings Are Not To Scale



How To Order

Model No.	Description	Input Voltage	Output
PSC-ZAD-WCM-100-BLE-CB-BN	Casambi Mesh DALI Controller, Dark Brown Finish	24VDC	DALI
PSC-ZAD-WCM-110-BLE-CB-BN	Casambi Mesh DALI Controller with Photocell, Dark Brown Finish	24VDC	DALI
PSC-ZAD-WCM-100-BLE-CB-WT	Casambi Mesh DALI Controller, White Finish	24VDC	DALI
PSC-ZAD-WCM-110-BLE-CB-WT	Casambi Mesh DALI Controller with Photocell, White Finish	24VDC	DALI
PSC-ZAD-WCM-100-BLE-CB-BK	Casambi Mesh DALI Controller, Black Finish	24VDC	DALI
PSC-ZAD-WCM-110-BLE-CB-BK	Casambi Mesh DALI Controller with Photocell, Black Finish	24VDC	DALI
PSC-ZAD-R1L	Zhaga Book18 Quick-Connect Receptacle for use with Sensor-Controllers, Black Finish		

Design and specifications are subject to change without notice.