

Wireless Single Channel Fixture Controller



Overview

- 1 Channel 0-10VDC Dimming
- Mounts In Fixture
- Casambi Wireless Mesh
- High-End Trim, Zoning, Continuous Dimming
- 10-22 VDC Load Control Output (active high)
- Active High Output For Relay Drive
- ioXt Alliance Cybersecurity Certification

Suitable For Indoor Use Only



Applications

The PSC-WCM-50-BLE-CB Wireless Fixture Controller allows for one channel of 0-10 dimming and load control output (active high).

PSC-WCM-50-BLE-CB is controlled wirelessly via Casambi Mesh technology allowing for wireless dimming of LED lighting. The controller communicates with other devices such as switches and sensors via the wireless mesh network. The device outputs a 0-10V dimming signal to compatible drivers (and controls dim-to-off products) as well as a 10-22VDC control signal (active high). This control signal can be used to control other devices such as power packs. The compact size allows for seamless integration in the fixture.

Accessories

Power Pack: The PSC-WCM-50-BLE-CB operates on 12-24VDC.

These fixture controllers require a separate mwConnect PacWave™ power pack. See mwConnect PacWave™ Power Pack data sheets.

Alternatively, the unit can also operate with a driver that has an auxiliary output (12 V).

Operation

Casambi Wireless Mesh Controls: The controller connects to a Low Energy (BLE) wireless mesh network via a mobile app, available as iOS or Android, to allow initial setup and subsequent parameters adjustments.

User Interface: Mobile app features include: setup, control real time feedback, and scheduling without a gateway or internet access.

1-Channel Dimming: allows for one 0-10 dimming channel for driver control.

Relay Control: Load control output (active high) can be used to trigger relays or other control circuitry.

See the mwConnect Casambi Commissioning User Manual for more information.

Summary

Product Type:
1-Channel Fixture Controller

Input Voltage | Current Consumption:
12-24 VDC |40 mA

0-10V Output 30 mA

Load Control Output: Active High
Vin-2.5 V, 30mA source for sensor or relay

Mounting: Fixture Mount

Max Wireless Range¹:
100ft (30.4m)

Operating Temperature:
-30° C to 70° C

Storage Temperature:
-40° C to 80° C

Relative Humidity:
90-95% non-condensing

Color: White

Warranty: 5 years

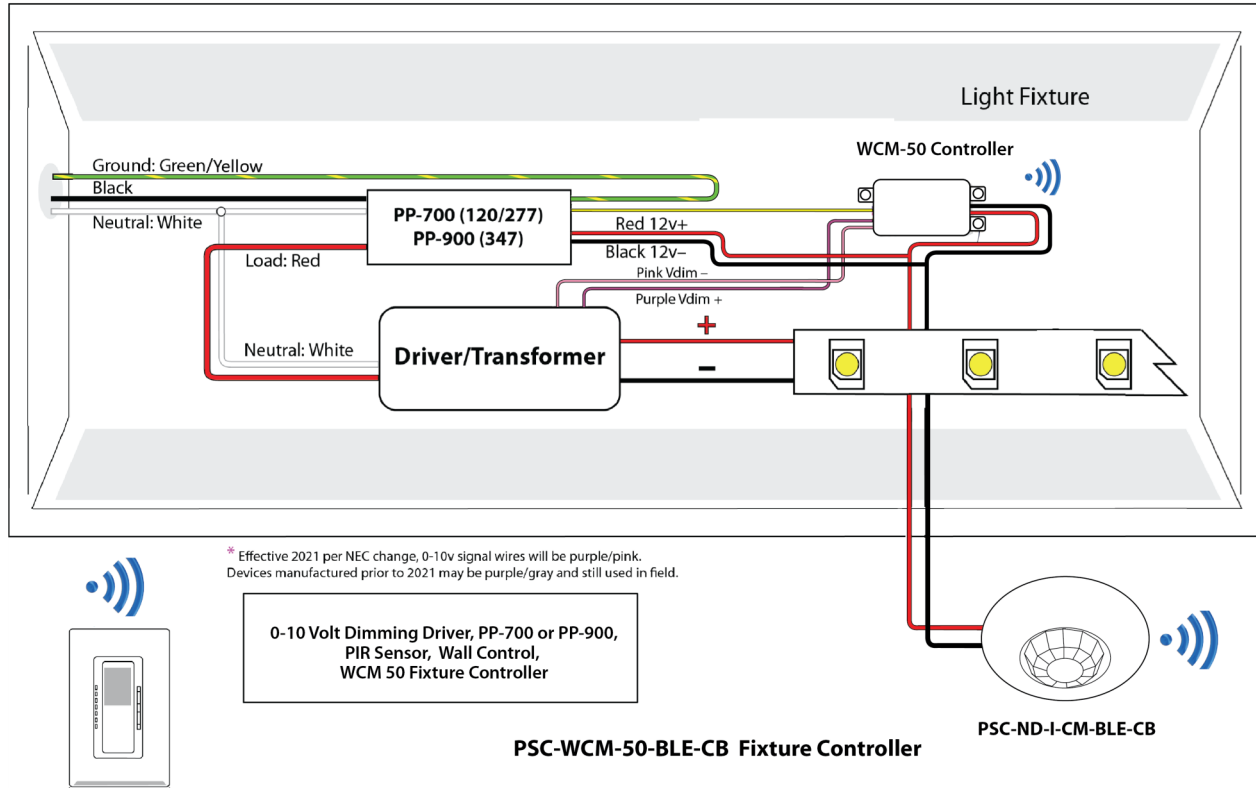
Note:

1. Wireless Range is highly dependent on the integration of fixtures, surrounding environment and conditions. It is recommended to conduct testing for range accuracy.

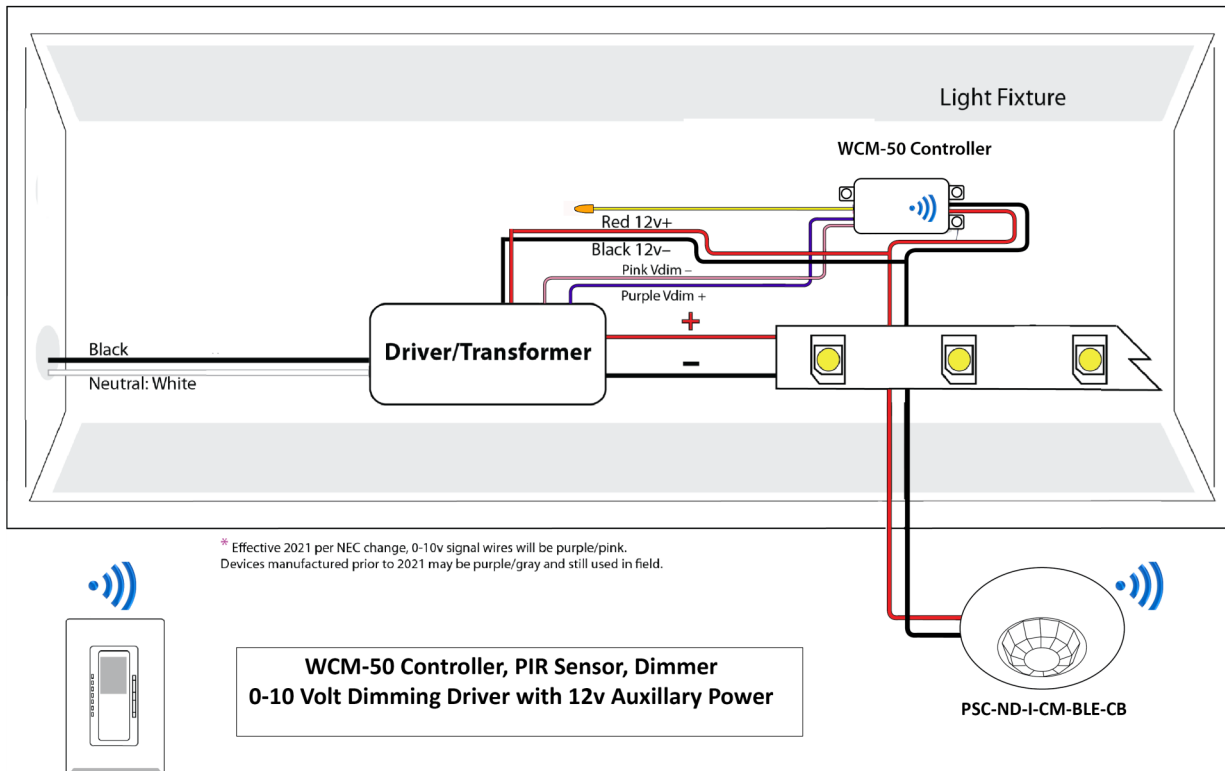
Project

Location/Type

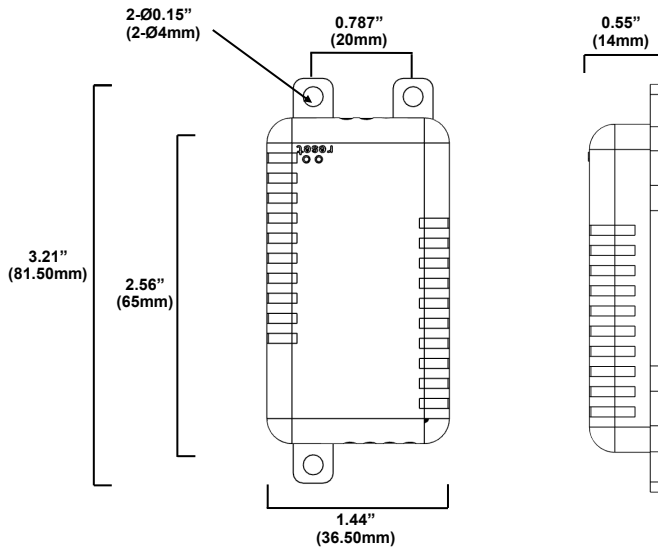
**Wiring Example Application:
Controller With PP-700 Or PP-900 Power Pack**



**Wiring Example Application:
Controller With Dim To Off Driver-12VDC Auxiliary Power**



Physical Dimensions



Drawings Are Not To Scale

Wiring Table

Wire	Designation	Notes	Size
Black	12VDC- Power Output	Power Input	#18 AWG, 180+/-20mm, Strip 10mm Tin Plated
Red	12VDC+ Power Output	Power Input	
Purple (Violet)	0-10V+ Dim Output	Luminaire Control Output	#22 AWG, 180+/-20mm, Strip 10mm Tin Plated
Pink/Gray	0-10V- Dim Output	Luminaire Control Output	
Yellow	10-22VDC Control Output	Output for Controlling Power Pack or Similar Devices (Active High)	

How to Order

Model No.	Description	Input Voltage	Output
PSC-WCM-50-BLE-CB	Wireless Fixture Controller, Single Channel, Casambi Wireless Mesh	12-24 VDC	0-10V, 30mA Control High

For Line To Low Voltage Power Supply/Controller, Please See mwConnect PacWave™ Power Pack Data Sheets
 Design And Specifications Are Subject To Change Without Notice.