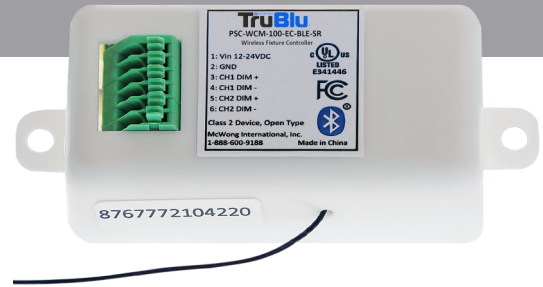


# Wireless 2-Channel Fixture Controller with Tunable White

## Overview

- 2-Channel 0-10VDC Dimming For White Tuning
- Mounts In Fixture
- Bluetooth® SIG mesh
- High-End Trim, Zoning, Continuous Dimming
- Available In Standard 12-24VDC
- Also Available Without Relay Drive (-EC version)
- Conforms With DLC NLC5 Cybersecurity Standards



Suitable for indoor use only



## Applications

The PSC-WCM-100-BLE-SR Wireless Fixture Controller allows for two channels of 0-10 dimming for tunable white. The standard version has load control output (active high) for relay or sensor control, and has a general purpose I/O (-EC version does not have a relay).

These devices are controlled wirelessly via Bluetooth® Mesh technology allowing for wireless dimming of LED lighting. The compact size allows for seamless integration to the fixture.

## Accessories

**Power Pack:** The PSC-WCM-100-BLE-SR (and -EC version) operate on 12-24 VDC input and require a separate mwConnect PacWave™ power pack. See mwConnect PacWave™ Power Pack data sheets.

## Operation

**TruBlu™ Mesh Controls:** Qualified by Bluetooth SIG for its Bluetooth Mesh 1.0.1 specification, the controller connects to a Bluetooth mesh network and is accessed via the TruBlu web portal or mobile app for initial design, setup and scheduling, as well as subsequent parameter adjustments.

Advanced functionality such as energy monitoring, and demand response is available with the optional TruBlu Gateway.

**2-Channel:** Allows for two 0-10 dimming channels for tunable white color control. Using light fixtures that have two drivers, with cool and warm LEDs provides the ability to control the color temperature output.

**Relay Control:** Control output can be used to trigger relays or other control circuitry.

See the TruBlu™ Commissioning User Manual for more information.

## Summary

Product Type:  
2 Channel Fixture Controller

Input Voltage | Current Consumption:  
12-24 VDC | 100 mA

0-10V Output (x2) 30 mA

Control Output: Active High—Vin-2.5 V  
40mA source for sensor or relay

Mounting: Fixture Mount

Max Bluetooth Range<sup>1</sup>:  
100ft (30.4m)

Operating Temperature:  
-30° C to 70° C

Storage Temperature:  
-40° C to 80° C

Relative Humidity:  
90-95% non-condensing

Color: White

Warranty: 5 years

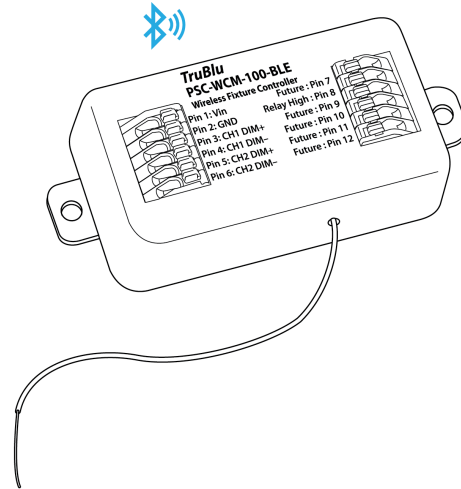
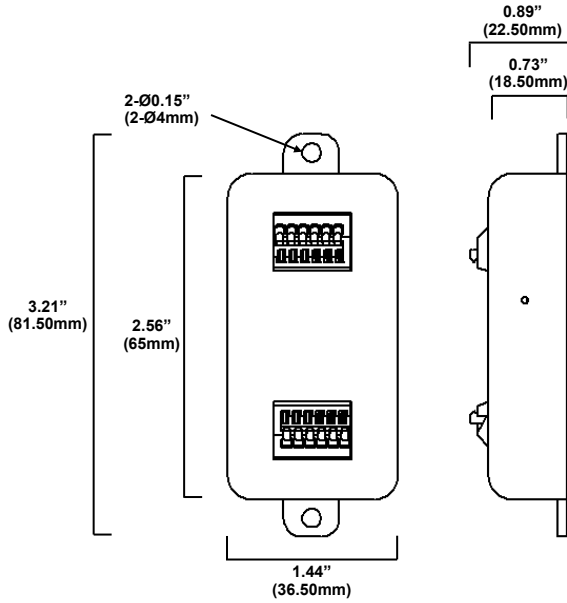
Note:

1. Bluetooth Range is highly dependent on the integration of fixtures, surrounding environment and conditions. It is recommended to conduct testing for range accuracy.

Project

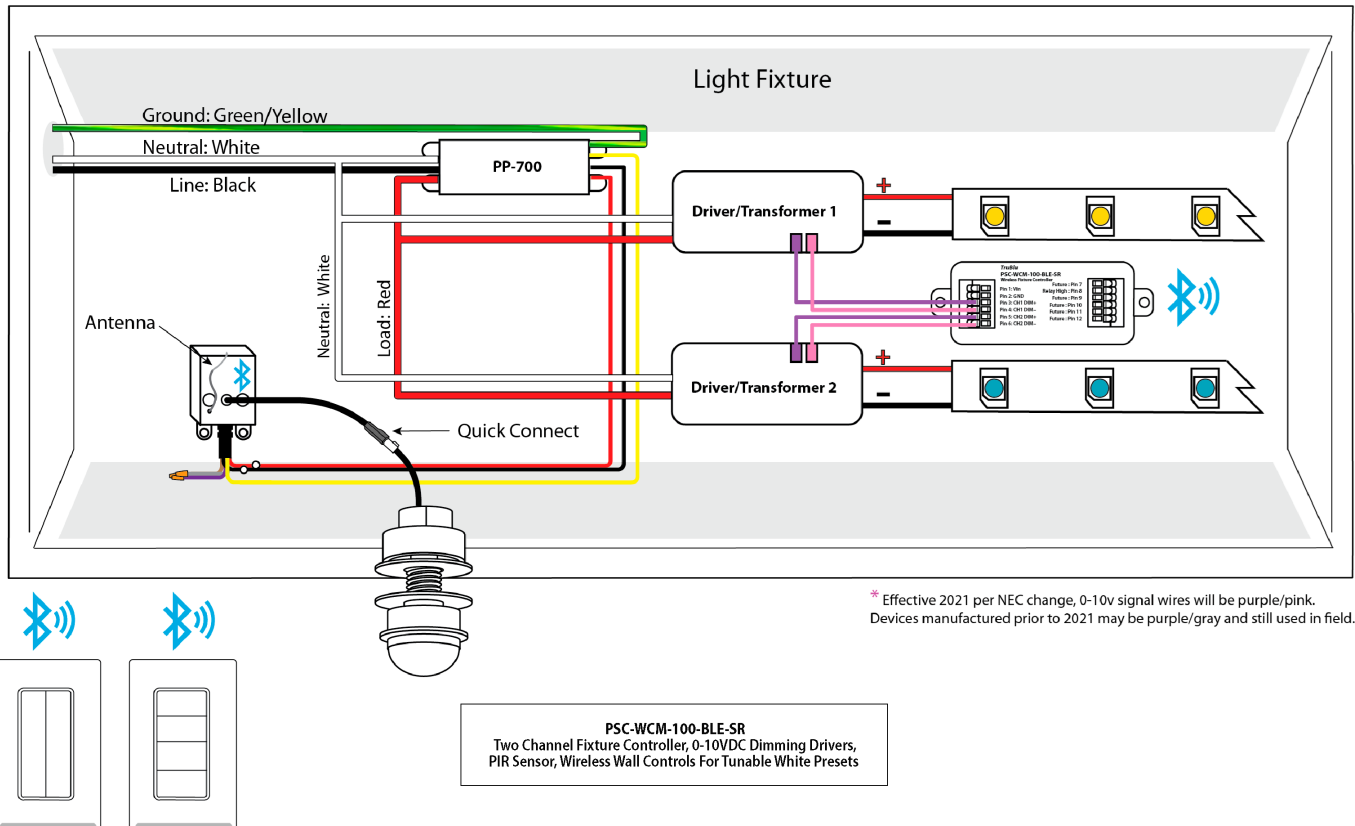
Location/Type

Physical Dimensions



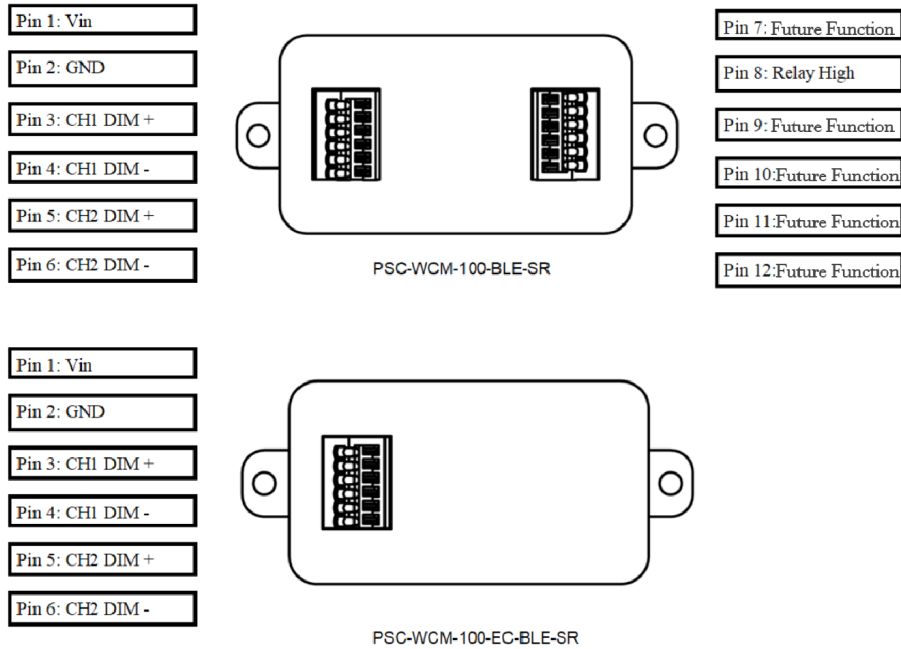
Drawings are Not to Scale

Example Application Tunable White: Controller Installed With Power Pack, Two Dimmable Drivers, Wired Sensor, and Wireless Switches

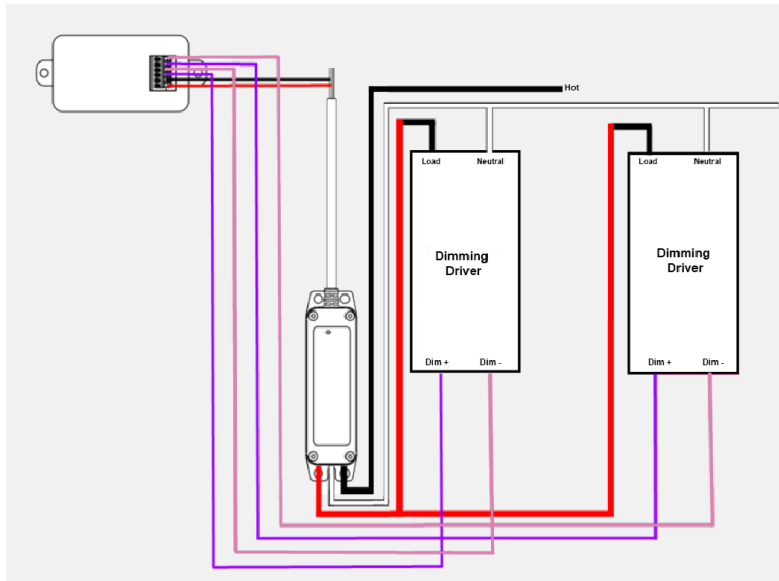


**PSC-WCM-100-BLE-SR**  
Two Channel Fixture Controller, 0-10VDC Dimming Drivers, PIR Sensor, Wireless Wall Controls For Tunable White Presets

Wiring Terminations



(2) One Channel Dimming Driver With Power Pack WCM-100-BLE-EC



How to Order

Model No.	Description	Input Voltage	Output
PSC-WCM-100-BLE-SR	Wireless Fixture Controller, Tunable White, Bluetooth Mesh TruBlu, <sup>TM</sup> Silvair technology partner	12-24 VDC	0-10 VDC x2 Control High
PSC-WCM-100-EC-BLE-SR	Wireless Fixture Controller, Tunable White, Bluetooth Mesh in TruBlu, <sup>TM</sup> Silvair technology partner	12-24 VDC	0-10 VDC x2

For Line to Low Voltage Power Supply/Controller, please see mwConnect PacWave<sup>TM</sup> Power Pack data sheets. Design and specifications are subject to change without notice.