

2-Button Bluetooth Mesh Wall Controller

Overview

- Bluetooth® SIG mesh
- Manual on/off (wireless)
- Dim up/down (wireless)
- Conforms with DLC NLC5 Cybersecurity Standards
- Mounts in any standard wall box
- Color: White



Suitable for Indoor Use Only



Applications

mwConnect's 2-Button Bluetooth mesh wall controller (PSC-DM-WS-200-BLE-SR) wirelessly communicates with other Bluetooth mesh network devices to provide scene and light level control to lighting in the space. It can be installed in a standard 1-gang wall box.

Typical applications include public restrooms, private offices, classrooms, conference rooms, storage spaces, and break rooms.

Operation

TruBlu™ Mesh Controls: Qualified by Bluetooth SIG for its Bluetooth Mesh 1.0.1 specification, the wall controller connects to a Bluetooth mesh network and is accessed via the TruBlu web portal or mobile app for initial design, setup and scheduling, as well as subsequent parameter adjustments.

End users can then program length of time delays, fade time, and other settings using these design and commissioning tools.

The PSC-DM-WS-200-BLE-SR controls all of the lights in a specific zone. The unit also functions as a dimmer to override the pre-configured occupancy sensor settings.

See the TruBlu™ Commissioning User Manual for more information.

Summary

Type:
2-Button Wireless Wall Controller

Input Voltage | Power Consumption:
120-277 VAC, 50/60Hz | Max 1.5W

Mounting:
Standard wall box

Max Bluetooth Range¹:
30ft (9.14m)

Operating Temperature:
0° to 55°C

Storage Temperature:
-10° to 60°C

Relative Humidity:
90-95% non-condensing at 30°C

Color: White

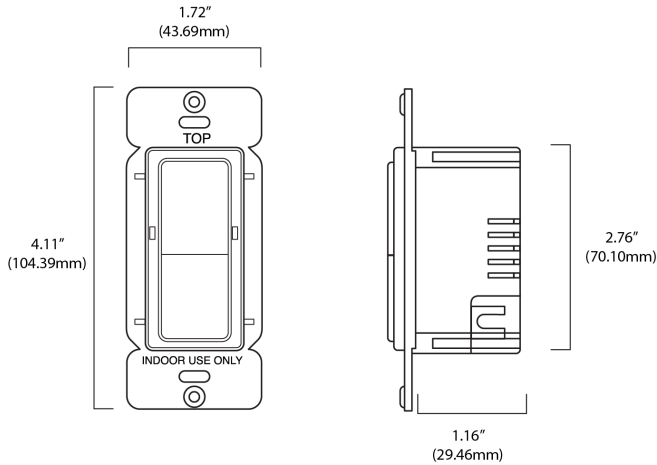
Warranty: 5 years

Note:
1. Bluetooth Range is highly dependent on the integration of fixtures, surrounding environment and conditions. It is recommended to conduct testing for range accuracy.

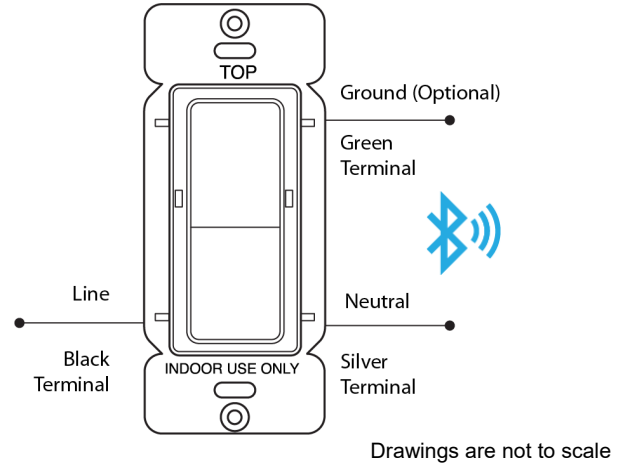
Project

Location/Type

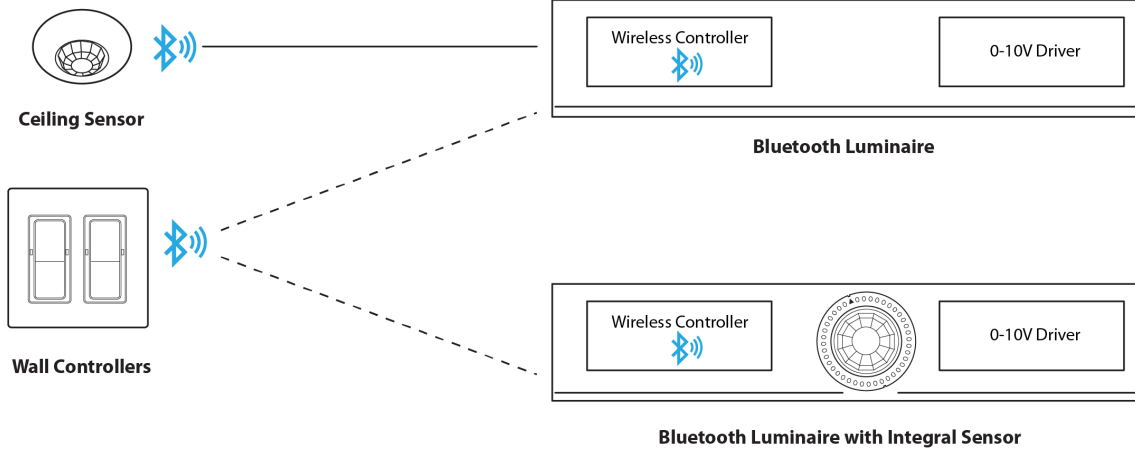
Physical Dimensions



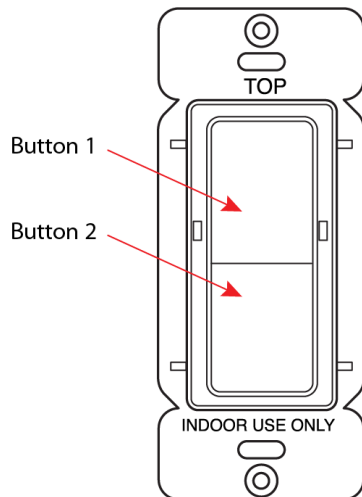
Wiring Diagram



Examples



Wireless Manual Control



On/Off Control

Button 1 for On:

Short press - ON

Button 2 for Off:

Short press - OFF

For Dimming:

Button 1 for Raise:

Press and Hold - RAISE

Button 2 for Lower:

Press and Hold - Lower

Factory reset:

Hold both Button 1 and Button 2 for 10 sec. The device returns to an un-provisioned state.

How to Order

Model No.	Description	Input Voltage
PSC-DM-WS-200-BLE-SR	Wireless 2-Button Wall Controller, TruBlu SIG Bluetooth Mesh, Technology Partner Silvair, (decorator faceplate not included)	120-277 VAC, 60Hz

Design and specifications are subject to change without notice.