

Wireless 1-Button Wall Controller

Overview

- Casambi Wireless Mesh
- Manual on/off (wireless)
- Dim up/down (wireless)
- Scenes/Color Tuning
- ioXt Alliance cybersecurity certification
- LED status indicator light
- Mounts in any standard wall box
- Color: White



Suitable for Indoor Use Only



Applications

mwConnect's Wireless 1-Button Wall Controller (PSC-DM-WS-100-BLE-CB) wirelessly communicates using Casambi Wireless Mesh controllers to provide light level control to lighting in the space. The controller can be installed in a standard single gang wall box.

Typical applications include private offices, open office areas, lobbies, classrooms and conference rooms.

Operation

Casambi Wireless Mesh Controls: The Wall Control connects to a wireless mesh network via a mobile app, available as iOS or Android, to allow initial setup and subsequent parameters adjustments.

User Interface: Using the mobile app, features include: setup, control real time feedback, and scheduling without a gateway or internet access.

See the mwConnect Casambi Commissioning User Manual for more information.

Summary

Product Type:
Wireless Wall Controller

Input Voltage | Power Consumption:
120-277 VAC, 50/60Hz | Max 1.5W

Mounting:
Standard wall box

Max Wireless Range¹:
30ft (9.14m)

Operating Temperature:
0° to 55°C

Storage Temperature:
-10° to 60°C

Relative Humidity:
90-95% non-condensing at 30°C

Color: White

Warranty: 5 years

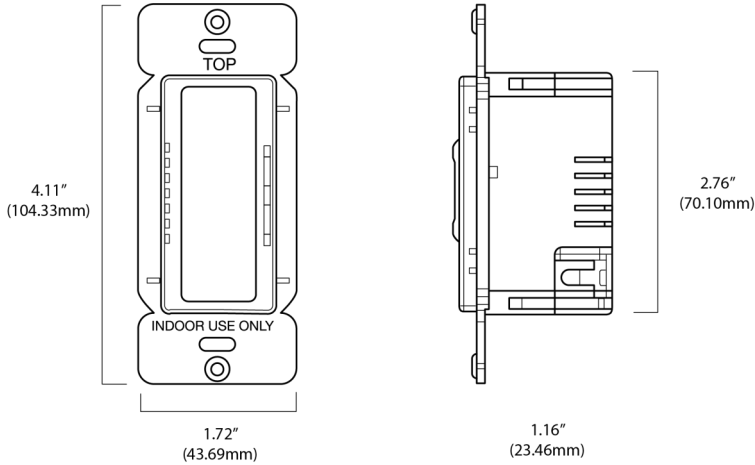
Note:

1. Wireless Range is highly dependent on the integration of fixtures, surrounding environment and conditions. It is recommended to conduct testing for range accuracy.

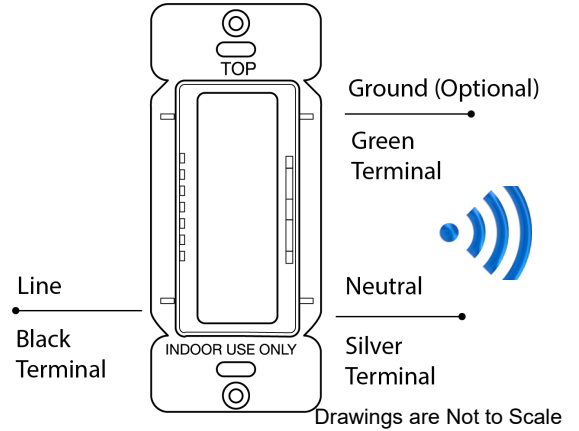
Project

Location/Type

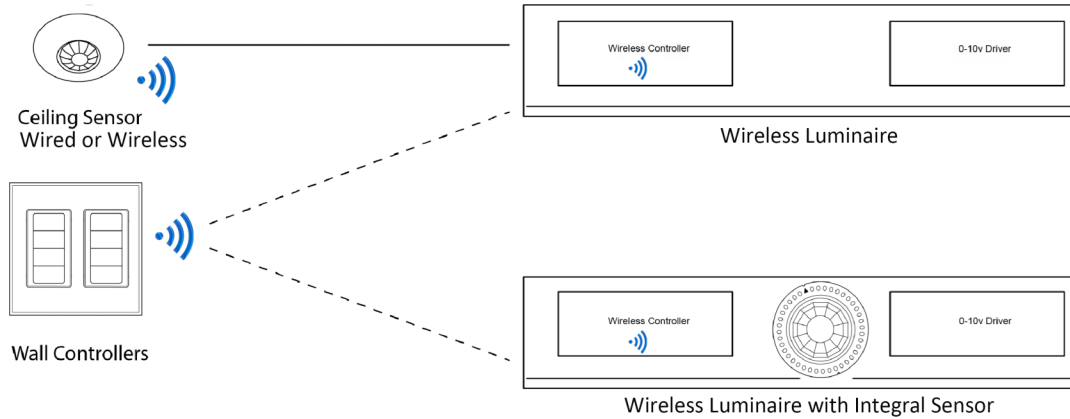
Physical Dimensions



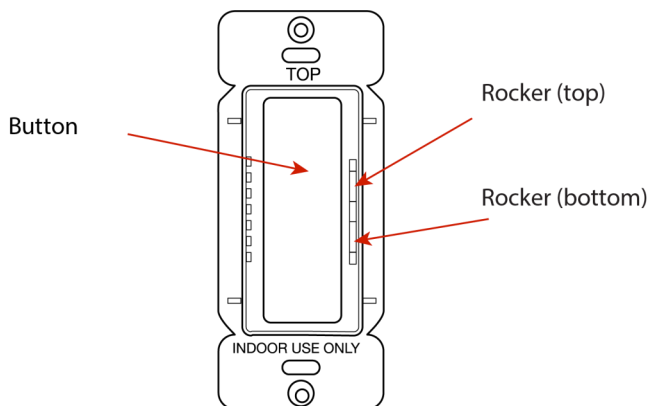
Wiring Diagram



Examples



Wireless Manual Control



Button for On/Off:

Short press - OFF

Short press - AUTO/ON

Auto = Resume automatic control; turns on the automatic settings for luminaires (defined by the settings profile).

Rocker for dimming:

Top - Raise

Bottom - Lower

Factory reset:

Press and hold Button together with Rocker at top and bottom for 10 sec. The device returns to an un-provisioned state.

How to Order

Model No.	Description	Input Voltage
PSC-DM-WS-100-BLE-CB	Wireless 1-Button Wall Controller, mwConnect Casambi Wireless Mesh, (decorator faceplate not included)	120-277 VAC, 60Hz

Design and specifications are subject to change without notice.