

2-Button Wireless Occupancy Sensor With Dimming

Overview

- Passive Infrared (PIR) Occupancy Sensor
- Two Buttons
- Bluetooth® SIG mesh
- Manual on/off (wireless)
- Conforms with DLC NLC5 Cybersecurity Standards
- Dim up/down (wireless)
- LED Status Indicator Light
- Mounts in any Standard Wall Box
- Color: White



Suitable for Indoor Use Only



Applications

mwConnect's Wireless Occupancy Sensor Two Button Dimming Wall Controller (PSC-DM-I-WS-200-BLE-SR) provides automatic, occupancy-based lighting control for a variety of indoor applications. It can be mounted in any standard single-gang wall box.

PIR detection is best suited for areas with clear line of sight. Typical applications include classrooms, copy rooms, private offices, conference rooms, and private restrooms.

Operation

TruBlu™ Mesh Controls: Qualified by Bluetooth SIG for its Bluetooth Mesh 1.0.1 specification, the wall controller connects to a Bluetooth mesh network and is accessed via the TruBlu web portal or mobile app for initial design, setup and scheduling, as well as subsequent parameter adjustments.

End users can then program length of time delays, fade time, and other settings using these design and commissioning tools.

The PSC-DM-I-WS-200-BLE-SR controls all of the lights in a specific zone. The unit also functions as a dimmer to override the pre-configured occupancy sensor settings.

See the TruBlu™ Commissioning User Manual for more information.

Summary

Sensor Type:
PIR Occupancy/Vacancy Sensor Dimmer

Input Voltage | Power Consumption:
120-277 VAC, 50/60Hz | Max 1.5W

Mounting:
Standard wall box

Max Range:
40 ft @ 4ft mounting height
(12.2m @ 1.2m mounting height)

Max Bluetooth Range¹:
30ft (9.14m)

Operating Temperature:
0° to 55°C

Storage Temperature:
-10° to 60°C

Relative Humidity:
90-95% non-condensing at 30°C

Color: White

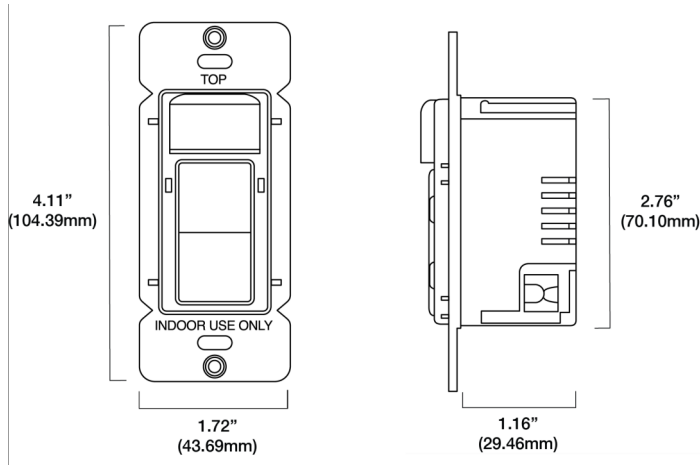
Warranty: 5 years

Note:
1. Bluetooth Range is highly dependent on the integration of fixtures, surrounding environment and conditions. It is recommended to conduct testing for range accuracy.

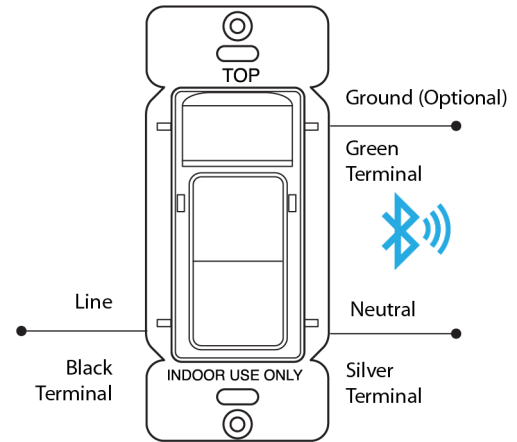
Project

Location/Type

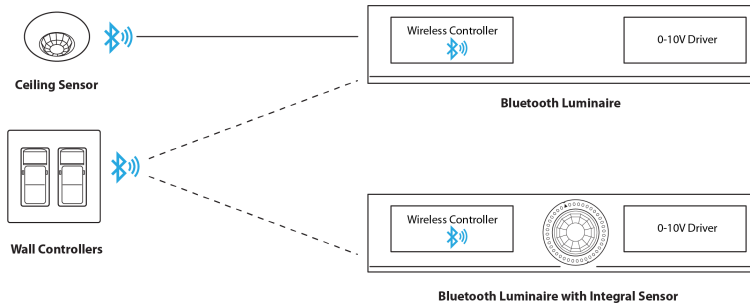
Physical Dimensions



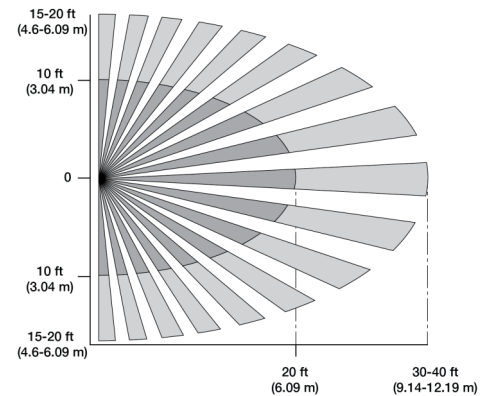
Wiring Diagram



Example

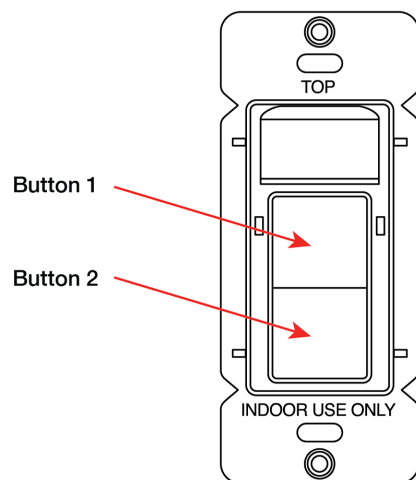


Detection Area



Drawings are not to scale

Wireless Manual Control



On/Off Control

Button 1 for On:

Short press - ON/Auto*

Button 2 for Off:

Short press - OFF

*Auto = Resume automatic control; turns on the automatic settings for luminaires (defined by the settings profile).

For Dimming:

Button 1 for Raise:

Press and Hold - RAISE

Button 2 for Lower:

Press and Hold - Lower

Factory reset:

Hold both Button 1 and Button 2 for 10 sec. The device returns to an un-provisioned state.

How to Order

Model No.	Description	Input Voltage
PSC-DM-I-WS-200-BLE-SR	Wireless PIR Occupancy Sensor Two Button Dimming Wall Controller, TruBlu Bluetooth Mesh, Silvair Technology partner (decorator plate not included)	120-277 VAC, 60Hz

Design and specifications are subject to change without notice.