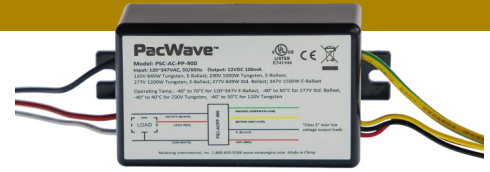


120~347V Fixture Mount Power Pack With Relay, 12VDC

Overview

- Self Contained Power Pack
- Mount In Fixture Or In Electrical Box
- 12 VDC Auxiliary Power For Other Devices
- Capable Of Switching Loads 120V~347VAC
- Sensor Input (Active High) To Control Relay



Suitable for indoor use only

Applications

The PSC-AC-PP-900 Power Supply (12VDC) incorporates a line voltage transformer which can accept universal input (120~347VAC). The PP-900 power packs contains a dry contact relay, for applications where line voltage switching is not required by the power pack.

The unit comes with tabs for mounting in fixtures or electrical boxes.

Operation

The PP-800 universal voltage power packs provides 12VDC to power occupancy sensors, load controllers and other similar devices.

The PP-900 turns on and off line voltage in response to occupancy sensors and switch inputs.



Summary

Product Type:
Power Pack

Input Voltage | Current Consumption:
120V~347VAC, 50/60Hz

Output: 12 VDC, Max 0~100 mA

Control Input: Active High

Max Load:
840W @ 120VAC, Tungsten, Electronic Ballast, CFL and LED
1000W @ 230VAC, Tungsten, Electronic Ballast, CFL and LED
1200W @ 277VAC, Tungsten, Electronic Ballast, CFL and LED
0-609W @ 277VAC, Standard Ballast
1500W @ 347VAC, Electronic Ballast, CFL and LED

Mounting
Fixture or JBOX Mount

Max Case Temperature: 90°C

Operating Temperature:
-40°C to 70°C for 120~347V Electronic Ballast, CFL and LED
-40°C to 50°C for 277V Std. Ballasts
-40°C to 50°C for 120V Tungsten
-40°C to 40°C for 230V Tungsten

Storage Temperature:
-40°C to 80°C

Relative Humidity: 10-95% non-condensing

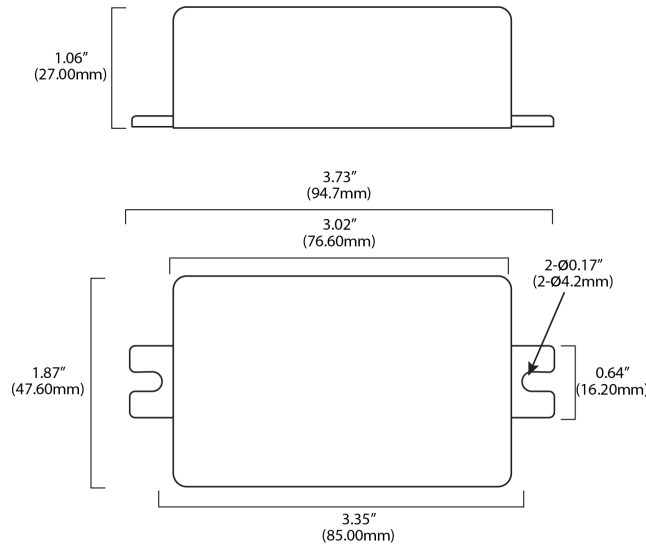
Color: Black

Warranty: 5 years

Project

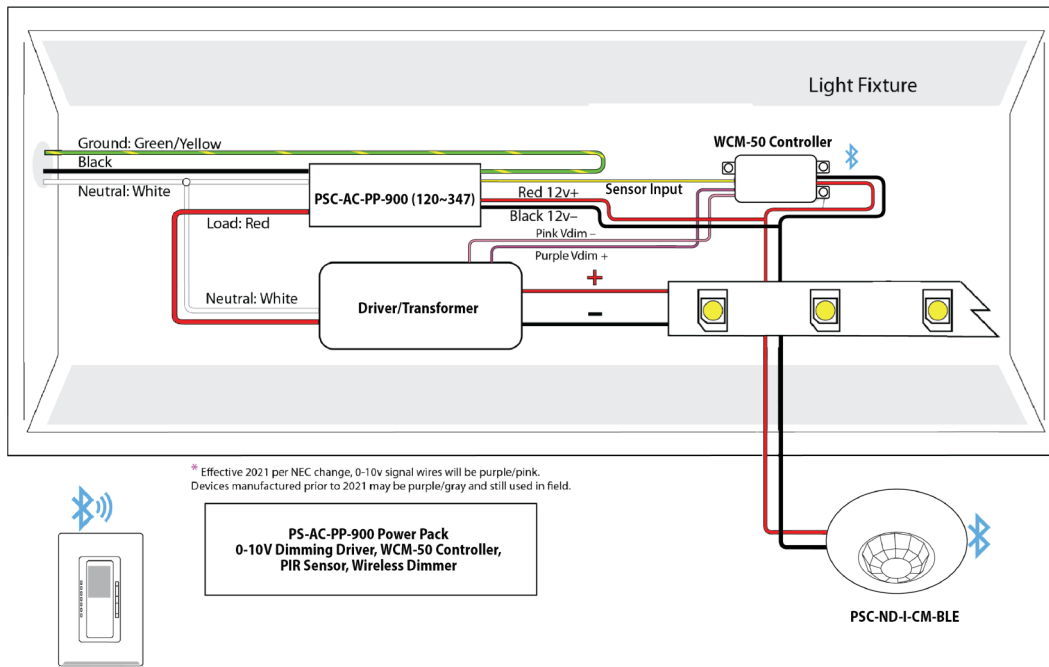
Location/Type

Physical Dimensions



Drawings Are Not To Scale

Wiring Example Application



Wiring Table

Wire	Designation	Notes	Size
Black	Line Input	Connect to Line Power	#18 AWG, 180+/-10mm, Strip 10mm Tin Plated
White	Neutral Input	Connect to Neutral Power and Luminaire Power Input	
Red	Load Output	Connect to Luminaire Power Input	
Yellow/Green	Ground Input	Connect to Building Ground	#18 AWG, 410+/-20mm, Strip 10mm Tin Plated With Eyelet
Red	12VDC+ Power Output	Connect to Sensor Power Input (12V+)	#22 AWG, 300+/-10mm, Strip 10mm Tin Plated
Black	12VDC- Power Output	Connect to Sensor Power Input (12V-)	
Yellow	Control Input	Connect to Sensor Output or Similar Device	

How to Order

Model No.	Description	Input Voltage	Output
PSC-AC-PP-900	Low Voltage Power Pack for Fixture or Electric Box Mount With Relay	120-347VAC	12VDC

Design and specifications are subject to change without notice.