

Fixture Mount Power Pack 10A 120~277V, 12VDC Output



Suitable for indoor use only

Overview

- Self Contained 10A Power Pack
- Mount In Fixture Or In Electrical Box
- 120-277VAC Input Voltage
- 12VDC Auxiliary Output
- Relay with Zero-Crossing
- Sensor/Control Input (Active High)

Applications

The PSC-AC-PP-700C Power Pack (12VDC) incorporates a line voltage transformer that can accept universal input (120~277VAC). Tabs allow for easy mounting in light fixture or electrical enclosure.

The device is ideal for LED drivers that do not have auxiliary output power for sensors and fixture controls. Typical applications include powering lighting controls in classrooms, conference rooms, and offices.

Operation

The PP-700C universal voltage power pack provides 12VDC to power occupancy sensors and fixture controllers.

The PP-700C when it receives a control input signal turns on relay (active high input from sensor or relay).

Relay: 20A relay to control multiple fixtures in a lighting zone.

Low voltage wires are in heat shrink tubing as a barrier from line voltage wiring (UL approved).



Summary

Product Type:
Power Pack

Input Voltage | Current Consumption:
120V~277V, 50/60Hz | 30mA

Output: 12 VDC | 100 mA

Sensor Input: Active High
10-24VDC, 30mA

Max Load:
240VA @ 120VAC, 2A
554VA @ 277VAC, 2A
E. Ballast, LED, CFL

Mounting:
Fixture or Electrical Enclosure

Max Case Temperature: 90°C

Operating Temperature:
-20°C to 70°C

Storage Temperature:
-40°C to 80°C

Relative Humidity:
90-95% non-condensing

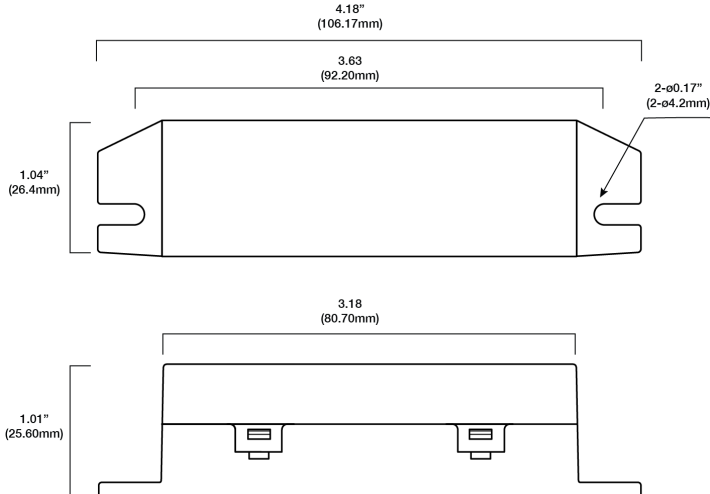
Color: Black

Warranty: 5 years

Project

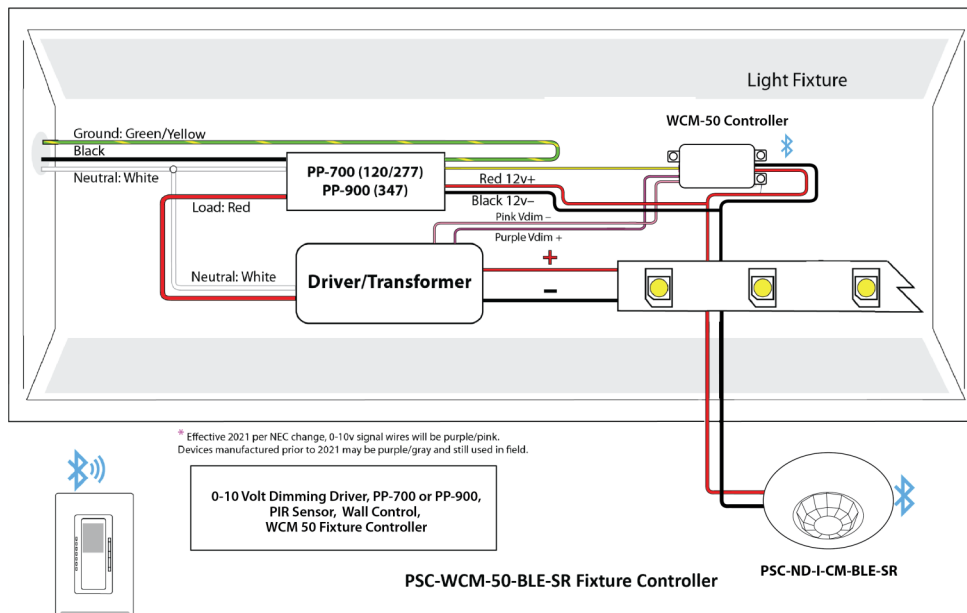
Location/Type

Physical Dimensions



Drawings Are Not To Scale

Wiring Diagram



Wiring Table

| Wire | Designation | Notes | Size |
|--------------|---------------------|--|---|
| Black | Line Input | Connect to Line Power | #18 AWG, 180+/-10mm, Strip 10mm Tin Plated |
| White | Neutral Input | Connect to Neutral Power and Luminaire Power Input | |
| Red | Load Output | Connect to Luminaire Power Input | #22 AWG, 410+/- 20mm, Strip 10mm Tin Plated With Eyelet |
| Yellow/Green | Ground Input | Connect to Building Ground | |
| Red | 12VDC+ Power Output | Connect to Sensor Power Input (12V+) | |
| Black | 12VDC- Power Output | Connect to Sensor Power Input (12V-) | #22 AWG, 300+/-10mm, Strip 10mm Tin Plated |
| Yellow | Control Input | Connect to Sensor Ouput or Similar Device | |

How to Order

| Model No. | Description | Input Voltage | Output |
|----------------|--|---------------|--------|
| PSC-AC-PP-700C | Low Voltage Power Pack For Fixture or Electrical Enclosure | 100-277VAC | 12VDC |

Design and specifications are subject to change without notice.