

120-277V Power Pack, 12VDC Output, 20A Relay

Overview

- Self Contained Power Pack
- Mount To 1/2" Knock Out Of Fixture Or Electrical Box
- 12 VDC Auxiliary Power For Other Devices
- Capable Of Switching Loads Up To 20A
- Zero Cross Switching Relay
- Sensor Input (Active High) To Control Relay



Suitable for indoor use only



Applications

The PSC-AC-PP-250 Power Supply (12VDC) incorporates a line voltage transformer which can accept universal input (120-277VAC). The PSC-AC-PP-250 power packs are designed to operate in a wide range of applications that require line voltage switching through low voltage controls. The compact size of this device allows for installation in small areas. Additionally, the male threaded nipple is designed to mount to 1/2" knockouts of fixtures or electrical enclosures.

Typical applications include lighting controls in classrooms, lobbies, corridors, open offices, and warehouses.

Operation

The PSC-AC-PP-250 universal voltage power pack provides 12VDC to power occupancy sensors, load controllers and other similar devices.

The PSC-AC-PP-250 turns on and off line voltage in response to occupancy sensors and switch inputs.

Summary

Product Type:
Power Pack

Input Voltage | Current Consumption:
120V or 277V, 50/60Hz | 5.5W

Load Rating (up to 40°C)
20A@ 120/277 VAC (Resistive)
16A@ 120/277 VAC (E. Ballast, LED, CFL)
Motor With 1 HP @120/240

Power Supply:
12VDC 200mA (Voltage<=200VAC)
12VDC 300mA (Voltage>200VAC)

Sensor Control Input: Active High, 8-18VDC

Mounting: 1/2" threaded nipple mount to fixture or electrical box knockout
Fixture or JBOX Mount

Max Case Temperature:
90°C

Operating Temperature:
-40° C to 40°C

Storage Temperature:
-40° C to 85°C

Relative Humidity:
90-95% non-condensing

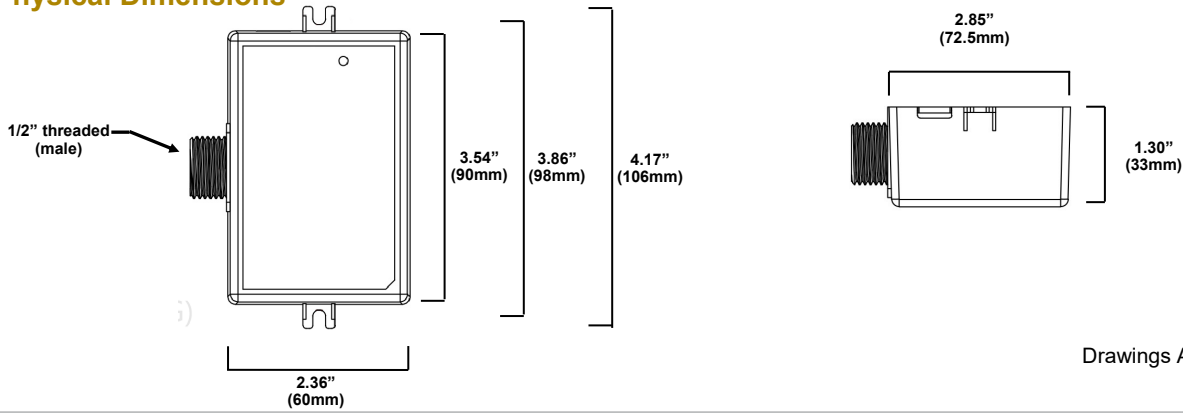
Color: White

Warranty: 5 years

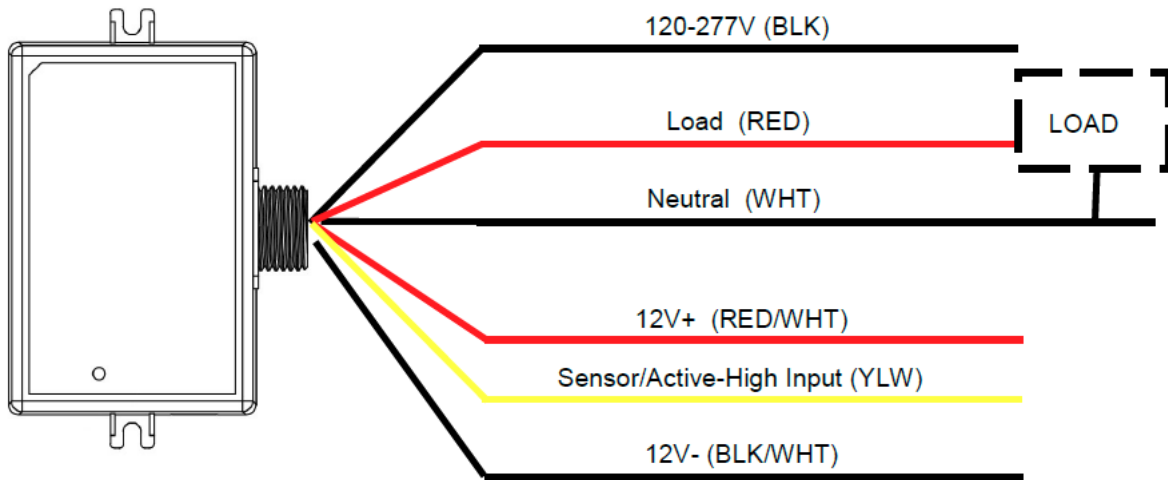
Project

Location/Type

Physical Dimensions



Wiring



Wire	Designation	Notes	Size
Black	Line Input	Connect to Line Power	#12 AWG, 180+/- 20mm, Strip 10, Tin Plated
White	Neutral Input	Connect to Neutral Power and Luminaire Power Input	
Red	Load Output	Connect to Luminaire Power Input	
Red/White	12VDC+ Power Output	Connect to Sensor Power Input (12V+)	#22 AWG, 180+/-20mm, Strip 10mm Tin Plated
Black/White	12VDC- Power Output	Connect to Sensor Power Input (12V-)	
Yellow	Control Input	Connect to Sensor Output or Similar Device	#22 AWG, 180+/-20mm, Strip 10mm Tin Plated

How to Order

Model No.	Description	Input Voltage	Output
PSC-AC-PP-250	Line Voltage Power Supply with 20A Relay 1/2" knockout mounted	120-277VAC	12VDC

Design and specifications are subject to change without notice.