

120-277VAC 24VDC Power Pack with Integral Relay



Suitable for indoor use



Overview

- Self Contained Power Pack
- Mount in Fixture or Electrical Enclosure
- 24VDC Power for Low Voltage Devices
- Rated Relay Capacity up to 20A
- Zero Cross Integral Switching Relay
- Sensor Input (Active High)
- Maintained or Momentary Inputs

Application

The PSC-AC-PP-100 Power Supply (24VDC) incorporates a line voltage transformer which can accept universal input (120-277VAC). Additional features include: Momentary Switch Input using the LVMS decora style switch, low voltage input for hold-on and hold-off. The power supply also has a 20A Zero Cross switching relay.

Typical applications include lighting controls in classrooms, lobby's, corridors, open offices, and warehouses.

Operation

The PP-100 universal voltage power pack provides 24VDC to power occupancy sensors and fixture controllers.

The PP-100 turns on and off line voltage in response to occupancy sensors and switch inputs.

The power supply can be mounted on a JBOX or light fixture.

Summary

Product Type:
Power Pack

Input Voltage | Current Consumption:
120V or 277V, 50/60Hz | 5.5W

Load:
20A@ 120/277 VAC (ballast)
20A@ 120VAC (incandescent)
Motor 1 HP @120/240

Output: 24VDC, 150 mA

Switch Input: Momentary Input

Switch Input: 12-24VDC Input for Hold On

Senor Input: Active High Input

Mounting
Fixture or JBOX Mount

Max Case Temperature:
90°C

Operating Temperature:
-30° C to 70° C

Storage Temperature:
-40° C to 80° C

Relative Humidity:
90-95% non-condensing

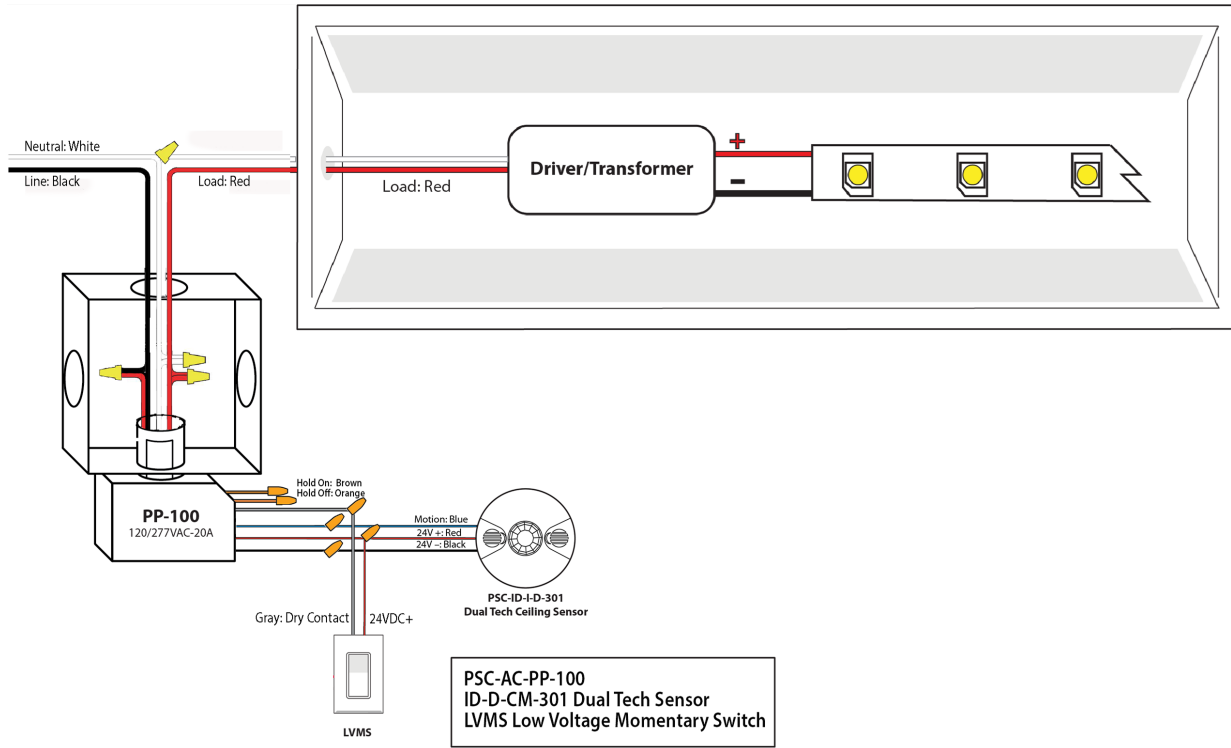
Color: White

Warranty: 5 years

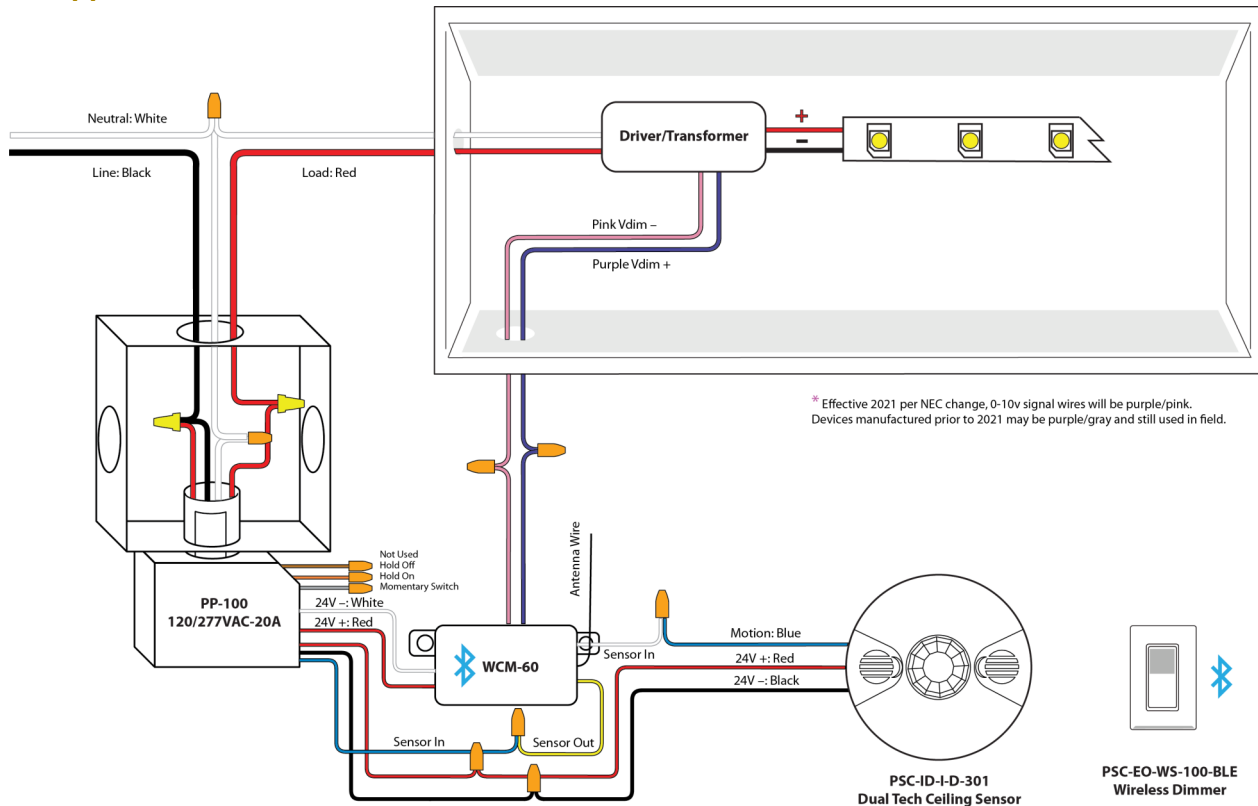
Project

Location/Type

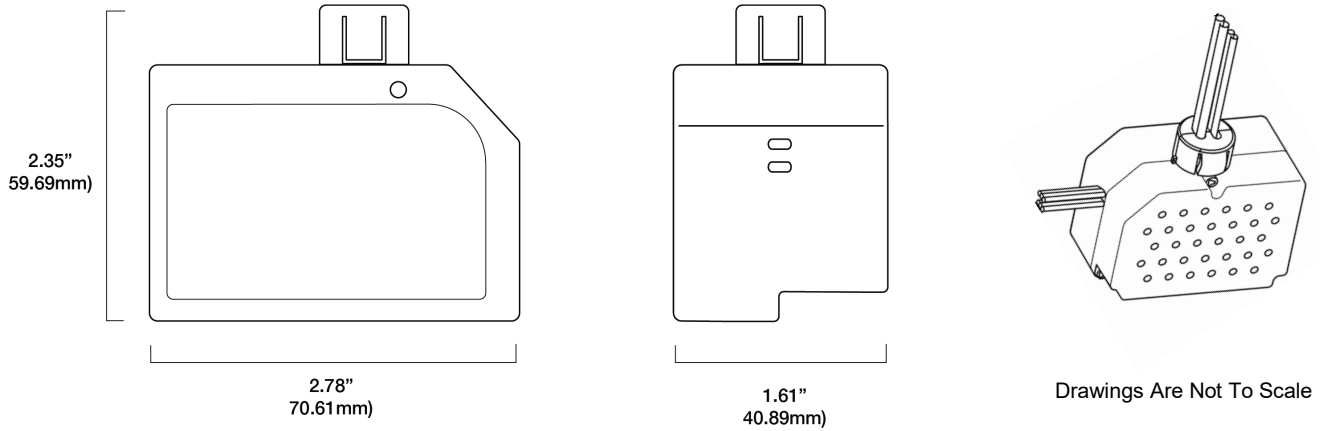
Wiring Example Application: Controller Installed In Electrical Enclosure, Low Voltage Wired Sensor And Switch



Wiring Example Application: Controller Installed In Electrical Enclosure, Network Application



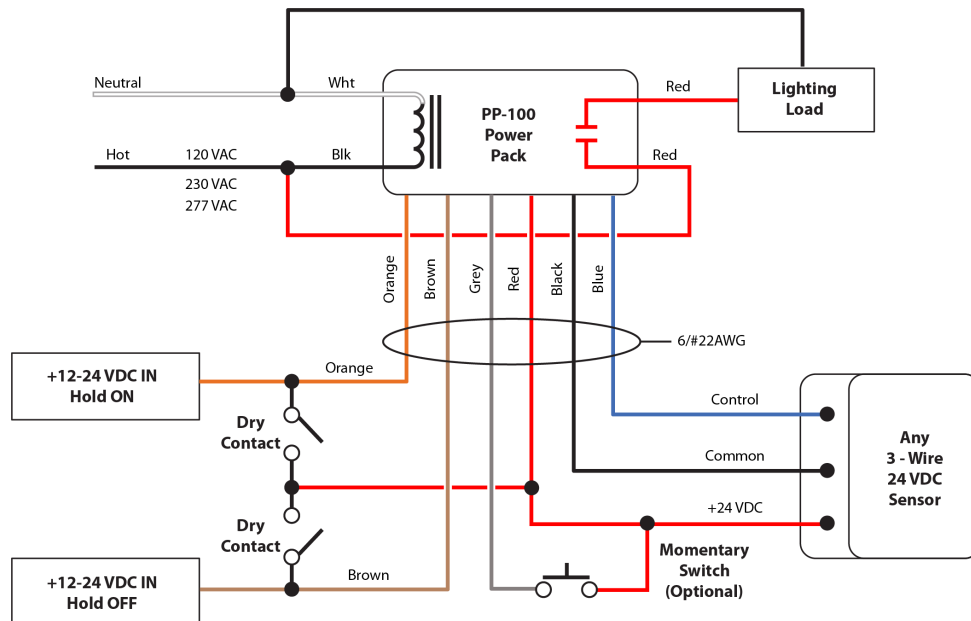
Dimensions



Drawings Are Not To Scale

Wiring Table

Wire	Designation	Notes	Size
Black	Line Input	Connect to Line Power	#12 AWG, 300V
White	Neutral Input	Connect to Neutral Power	105+/- 20mm,
Red	Load Output	Connect to Luminaire Power Input	Strip 10mm, Tin Plated
Red	12VDC+ Power Output	Connect to Sensor Power Input (12V+)	#22 AWG, 300V 110+/-10mm, Strip 10mm Tin Plated
Black	12VDC- Power Output	Connect to Sensor Power Input (12V-)	
Blue	Control Input	Connect to Sensor Output or Similar Device	
Orange	12-24VDC In	Connect to Dry Contact for Hold On	
Brown	12-24VDC In	Connect to Dry Contact for Hold Off	
Gray	Momentary Switch Input	Connect to Momentary Switch for On/Off	



How to Order

Model No.	Description	Input Voltage	Output
PSC-AC-PP-100	Line Voltage Power Supply with 120-277 VAC 20A Relay, Fixture or Electrical Enclosure Mounting	120-277VAC	24VDC

Design and specifications are subject to change without notice.