

Low Voltage Momentary Contact Switch

Overview

- Momentary Low Voltage 24V Switch
- Outputs Contact Closure For Use With mwConnect Line Voltage Occupancy Sensor
- Manual On/Off
- Easy To Wire
- Mounts In Any Standard Wall Box
- 3Way Or 4 Way Switching
- Standard Decora Opening
- Color: White



Suitable For Indoor Use Only



Applications

mwConnect's LVMS is a low voltage momentary ON/OFF switch that will work with the MwConnect PP-100 24v (20A) power pack. The switch will turn lights on and off in one zone. Automatic off is accomplished by MwConnect Low Voltage Occupancy Sensor.

The LVMS can alternately be paired with a MwConnect Line Voltage Sensor that has a contact closure momentary input like the MwConnect PSC-ID-I-CM-101

This switch features side mount wiring as well as push-in wiring on the rear.

Typical applications include private offices, open office areas, lobbies, warehouses, classrooms and conference rooms or wherever manual On and Automatic Off are desired.

Operation

This wired wall controller (low voltage with a power pack) is ON/OFF by switch and automatic OFF by sensor. End users can program length of time delays (by using motion sensor in the zone).

This switch is recommended for most low voltage switching applications. 3 and 4 way switching applications can be accomplished by parallel wiring to the mwConnect PP-100 power pack or to the mwConnect PSC-ID-I-CM-101 line voltage occupancy sensor.

Summary

Product Type:
Low voltage wired wall controller

Input Voltage:
24VDC with a power pack
Or
Contact closure with mwConnect line voltage sensor

Mounting:
Standard wall box

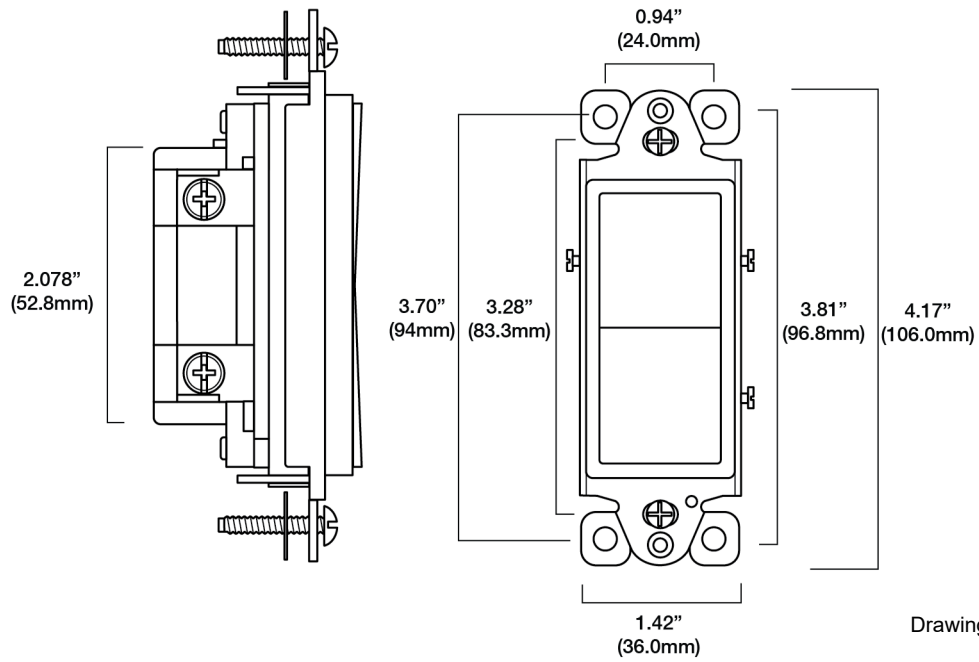
Color: White

Warranty: 2 years

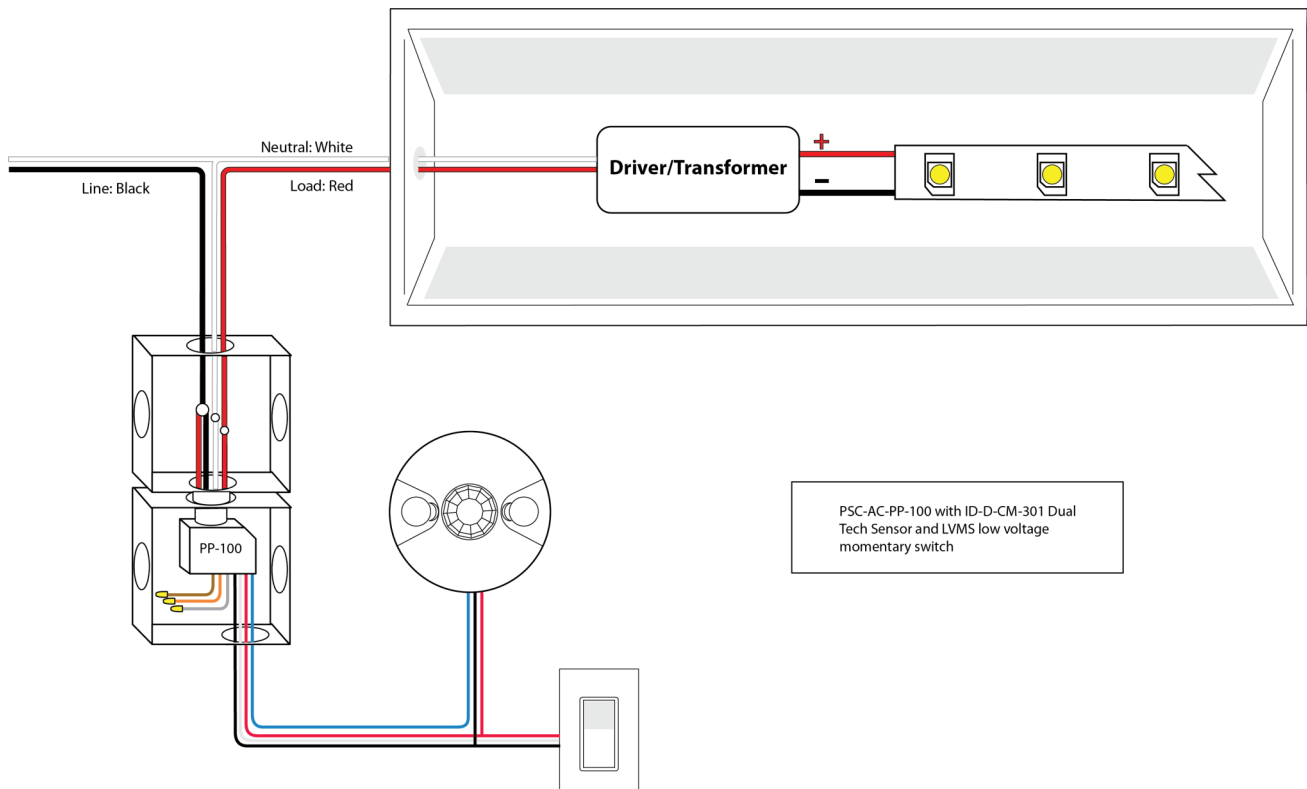
Project

Location/Type

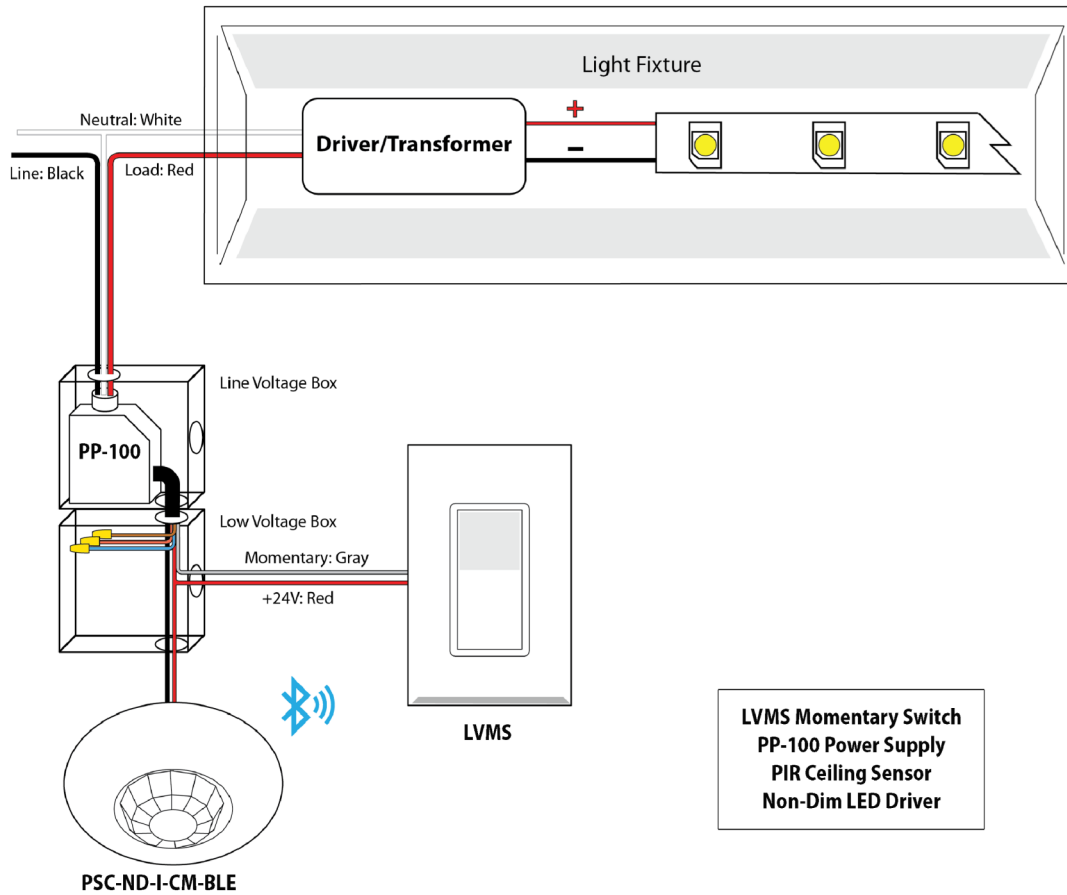
Physical Dimensions



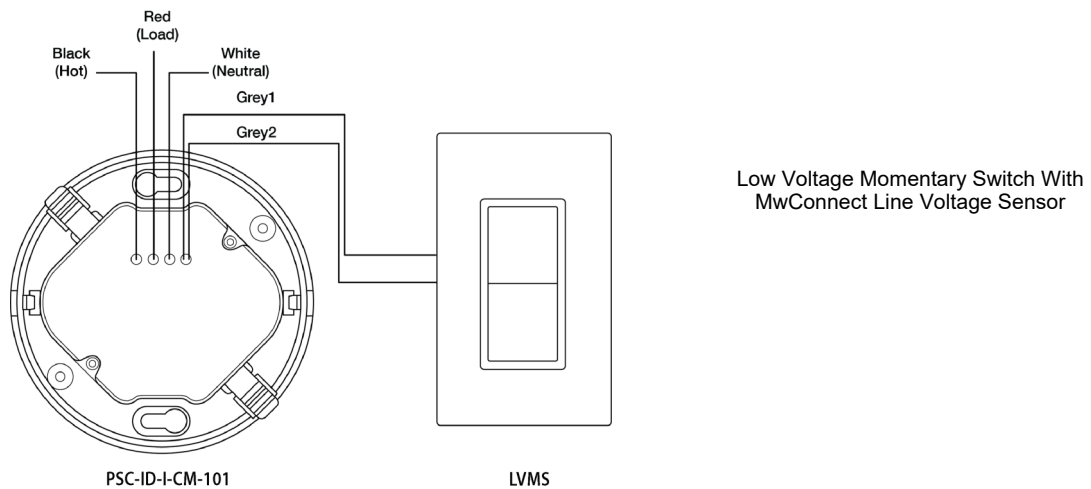
Wiring Example Application: Controller Installed In Electrical Enclosure, Low Voltage Sensor and LVMS Switch



Wiring Example Application: Controller Installed In Electrical Enclosure, Low Voltage Bluetooth Sensor and LVMS Switch



Wiring Example Application: Line Voltage Sensor With LVMS Switch



How to Order

Model No.	Description	Input Voltage
LVMS	Momentary On: 1 button wall control (faceplate not included)	24 VDC

Design and specifications are subject to change without notice.