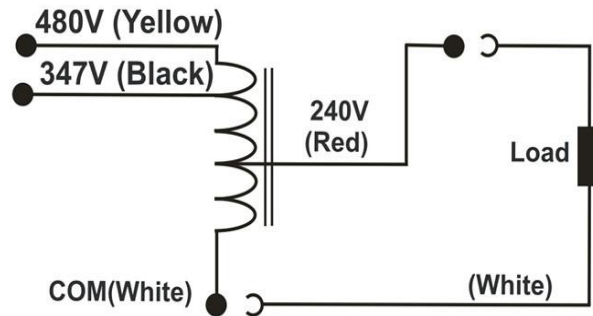
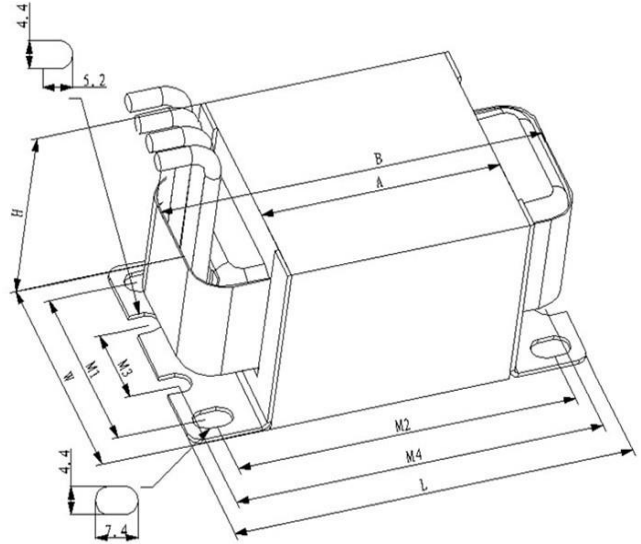




**cUL<sup>®</sup> US RoHS ISO9001**

|                                    |                              |
|------------------------------------|------------------------------|
| Model No.                          | <b>MTM02156224CLW</b>        |
| Product Type                       | <b>Step-down Transformer</b> |
| Rating (VA)                        | <b>215</b>                   |
| V <sub>in</sub>   V <sub>out</sub> | <b>480/347VAC   240VAC</b>   |
| Frequency                          | <b>60 Hz</b>                 |
| Status                             | <b>Production</b>            |

|                           |                            |                      |                  |
|---------------------------|----------------------------|----------------------|------------------|
| Input Voltage (V)         |                            | 480/347              |                  |
| Max Input Circuit (A)     |                            | 0.46/0.64            |                  |
| Max Output Circuit (A)    |                            | 0.89                 |                  |
| Max. Load(VA)             |                            | 215                  |                  |
| Output Voltage (V)        |                            | 240                  |                  |
| Full Load                 | EFF. (%)                   | 93/94                |                  |
|                           | THD (%)                    | 5.6/5.8              |                  |
|                           | Power Factor               | 0.992/0.992          |                  |
| Insulation System         |                            | CLASS H(180° )       |                  |
| Dimension<br>(inches/mm)  | Basic<br>dimensions        | A*                   | 3.07±0.04/78±1   |
|                           |                            | B(Max)               | 4.21/107         |
|                           |                            | W                    | 1.93±0.04/49±1   |
|                           |                            | H                    | 1.61±0.04/41±1   |
|                           | Installation<br>dimensions | M1                   | 1.56/39.6        |
|                           |                            | M2                   | 3.80±0.04/96.6±2 |
|                           |                            | M3                   | 0.57/14.4        |
|                           |                            | M4                   | 4.02±0.04/102±2  |
|                           |                            | L                    | 4.25±0.04/108±2  |
|                           |                            | Max Net Weight (lbs) |                  |
| Max Net Weight + LW (lbs) |                            | 2.54                 |                  |
| Lead Length (inches)      |                            | 8±0.5                |                  |



A\* not covered the thickness of the two holders  
 \*Lead Type: (AVLV2, AVLV8), Type 3135, No. 18 AWG (or Equivalent), rated 200°C, 600 V. Strip 10mm Tin Plated.  
 347V lead wire is pre-insulated.

|               |                                    |
|---------------|------------------------------------|
| Document No.: | <b>PS_MTM_VA0215_62-24_CLW_M03</b> |
| Date:         | <b>2023-03-31 (yyyy-mm-dd)</b>     |

Product Standards: UL 5085-1, UL 5085-2  
 UL CCN: XPTQ2, XPTQ8

Data is based upon tests performed by McWong International in a controlled environment and represents relative performance. Actual performance may vary depending on ballast and operating conditions. Specifications are subject to change without notice.