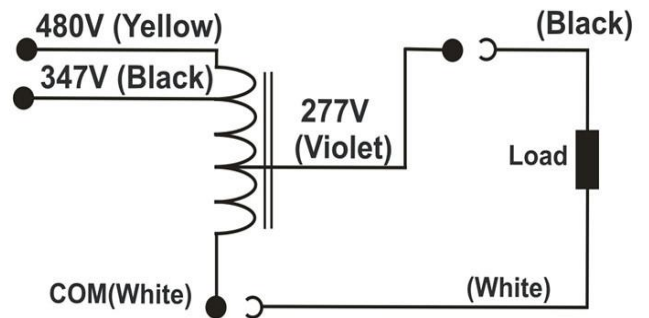
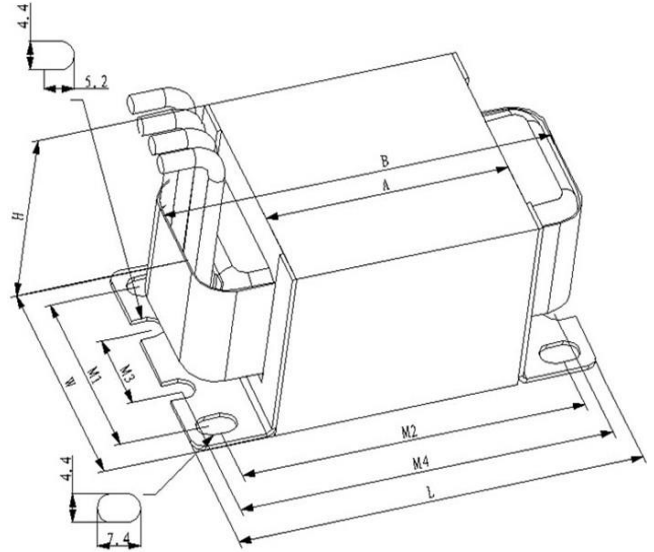




cUL[®] US RoHS ISO9001

Model No.	MTM01256227CLW
Product Type	Step-down Transformer
Rating (VA)	125
Vin Vout	480/347VAC 277VAC
Frequency	60 Hz
Status	Production

Input Voltage (V)		480/347	
Max Input Circuit (A)		0.28/0.39	
Max Output Circuit (A)		0.45	
Max. Load(VA)		125	
Output Voltage (V)		277	
Full Load	EFF. (%)	93/93	
	THD (%)	4.9/5.0	
	Power Factor	0.983/0.983	
Insulation System		CLASS H(180°)	
Dimension (inches/mm)	Basic dimensions	A*	2.36±0.04/60±1
		B(Max)	3.46/88
		W	1.93±0.04/49±1
		H	1.61±0.04/41±1
	Installation dimensions	M1	1.56/39.6
		M2	3.09±0.04/78.6±2
		M3	0.57/14.4
		M4	3.31±0.04/84±2
		L	3.54±0.04/90±2
		Max Net Weight (lbs)	
Max Net Weight + LW (lbs)		1.91	
Lead Length (inches)		8±0.5	



A* not covered the thickness of the two holders
 *Lead Type: (AVLV2, AVLV8), Type 3135, No. 18 AWG (or Equivalent), rated 200°C, 600 V. Strip 10mm Tin Plated.
 347V lead wire is pre-insulated.

Document No.:	PS_MTM_VA0125_62-27_CLW_M03
Date:	2023-03-31 (yyyy-mm-dd)

Product Standards: UL 5085-1, UL 5085-2
 UL CCN: XPTQ2, XPTQ8