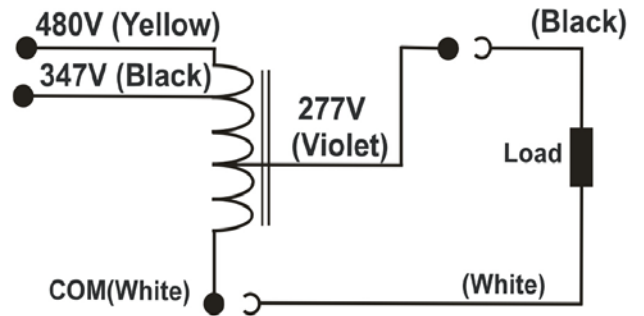
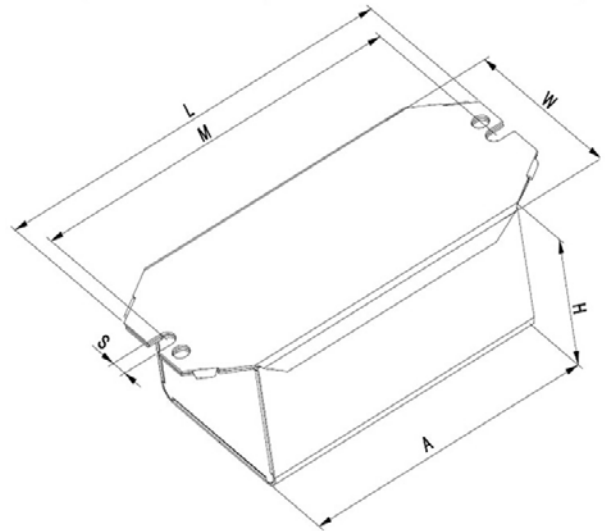




Model No.	MTM00706227C-CAN
Product Type	Step-down Transformer
Rating (VA)	70
Vin Vout	480/347VAC 277VAC
Frequency	60 Hz
Status	Production

Input Voltage (V)		480/347
Max Input Circuit (A)		0.16/0.22
Max Output Circuit (A)		0.25
Max. Load(VA)		70
Output Voltage (V)		277
Full Load	EFF. (%)	90/92
	THD (%)	5.0/5.3
	Power Factor	0.983/0.982
UL Class B 130 Temp. Code		A
Case Dimension (inches/mm)	L	4.76/121
	W	2.14/54.5
	H	1.6/40.8
	M	4.35/110.7
	A	3.5/89
	S	0.21/5.5
Max Net Weight (lbs)		1.78
Lead Length (inches)		8±0.5



*Lead Type: (AVLV2), Type 3321, No. 18 AWG (or Equivalent), rated 150°C, 600 V. Strip 10mm Tin Plated. [347V lead wire is pre-insulated.](#)

Document No.:	PS_MTM_VA0070_62-27_C_CAN_M01
Date:	2017-03-01 (yyyy-mm-dd)

Product Standards: UL 5085-1, UL 5085-2
UL CCN: XPTQ2, XPTQ8

Data is based upon tests performed by McWong International in a controlled environment and represents relative performance. Actual performance may vary depending on ballast and operating conditions. Specifications are subject to change without notice.

