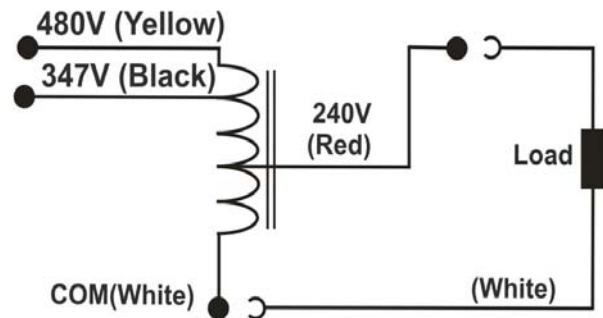
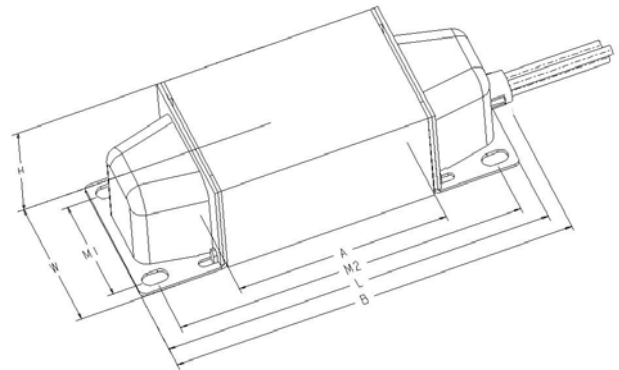




Model No.	MTM00306224C-EC
Product Type	Step-down Transformer
Rating (VA)	30
Vin Vout	480/347VAC 240VAC
Frequency	60 Hz
Status	Production

Input Voltage (V)		480/347
Max Input Circuit (A)		0.07/0.10
Max Output Circuit (A)		0.13
Max. Load(VA)		30
Output Voltage (V)		240
Full Load	EFF. (%)	91/93
	THD (%)	10.3/10.6
	Power Factor	0.952/0.951
UL Class B 130 Temp. Code		A
Case Dimension (inches/mm)	L	3.2/82
	W	1.7/42
	H	1.3/34
	M1	1.3/33
	M2	2.7/69
	A	1.2/30
	B	3.3/85
Max Net Weight (lbs)		0.98
Lead Length (inches)		8±0.5



*Lead Type: (AVLV2), Type 3135, No. 18 AWG (or Equivalent), rated 200°C, 600 V. Strip 10mm Tin Plated. [347V lead wire is pre-insulated.](#)

Document No.:	PS_MTM_VA0030_62-24_C_EC_M01
Date:	2018-03-19 (yyyy-mm-dd)

Product Standards: UL 5085-1, UL 5085-2
UL CCN: XPTQ, XPTQ7