

PSC-JBV-I-11N-BLE-CB | Wireless PIR Motion Sensor – with Audio Jack

Overview

- 1-Channel 0-10VDC Dimming
- PIR Sensor Mounting Height Up To 15ft (4.6m)
- Daylight Harvesting, High-End Trim, Zoning, Continuous Dimming, ON/OFF control
- Indoor rated
- 3.5mm Audio Jack



Applications

The PSC-JBV-I-11N products are a series of 1-Channel Wireless Fixture Controllers and use PIR motion detection architecture and passive infrared (PIR) technology for improved detection coverage.

The controllers are suitable for a variety of indoor applications in temperatures ranging from -20° to 70°C. The models also have an integral photosensor.

These devices are controlled wirelessly via Casambi Mesh technology allowing for wireless dimming of luminaires. The compact size allows for seamless integration to the fixture.

Operation

Casambi Wireless Mesh Controls: The sensor connects to a wireless mesh network via a mobile app, available as iOS or Android, to allow initial setup and subsequent parameters adjustments.

User Interface: Using the mobile app, features include: setup, control real time feedback, and scheduling without a gateway or internet access.

1-Channel: Outputs 0-10 dimming channel for driver control.

Photosensor: An integral photosensor provides ambient light level sensing for automatic control of daytime or nighttime designated scenarios.

Audio Jack: The controller mounts to a Audio Jack.

See the mwConnect Casambi Commissioning User Manual for more information.

Summary

Product Type:
1-Channel PIR Sensor and Controller

Input Voltage | Current Consumption:
12 VDC | 30 mA

Mounting:
Fixture Mount/Audio Jack

Mounting Height:
Fixture mount at 15ft (4.6m)

Max Range¹:
6ft (1.8m) radius

Max Wireless Range²:
100ft (30.4m)

Operating Temperature:
-20° C to 40°C

Storage Temperature:
-20° C to 50°C

Relative Humidity:
90-95% non-condensing

Color: White

Warranty: 5 years

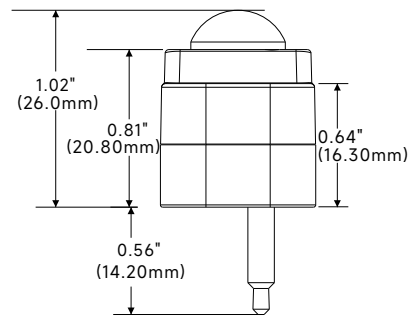
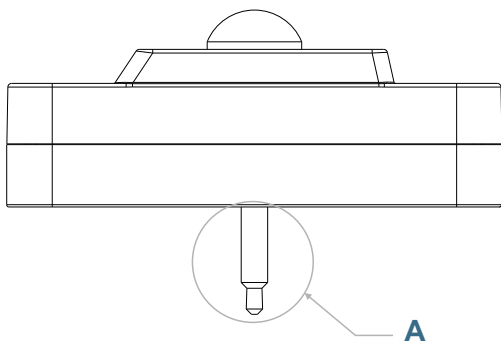
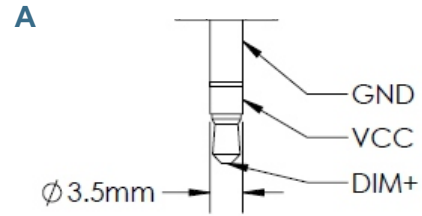
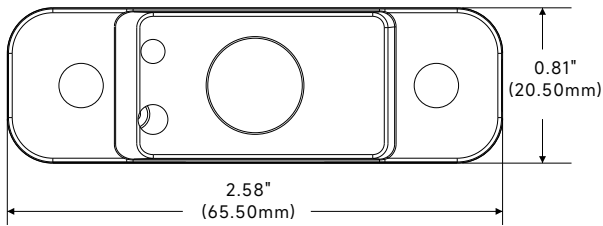
Note:

1. Wireless Range is highly dependent on the integration of fixtures, surrounding environment and conditions. It is recommended to conduct testing for range accuracy.

Project

Location/Type

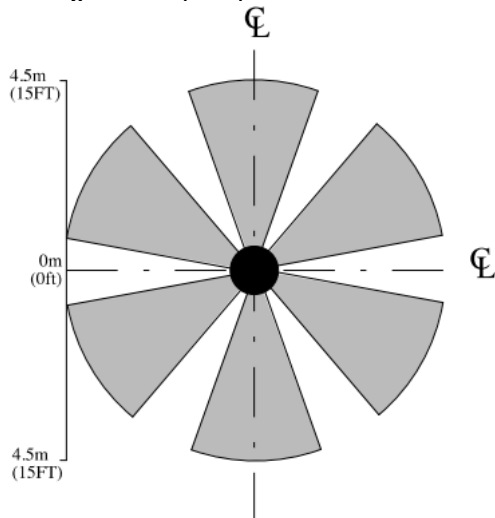
Physical Dimensions



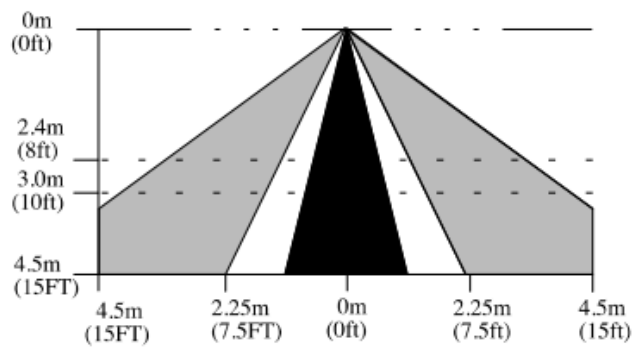
Drawings are Not to Scale

Sensor Patterns

Floor Coverage at 15 ft (4.5m)



Side View



How To Order

Model No.	Description	Input Voltage	Output
PSC-JBV-I-11N-BLE-CB	PIR Sensor-Audio Jack w/ 0-10V Dimming, Daylight Harvesting, Casambi Mesh Technology	12VDC	0-10V Dimming

Design and specifications are subject to change without notice.