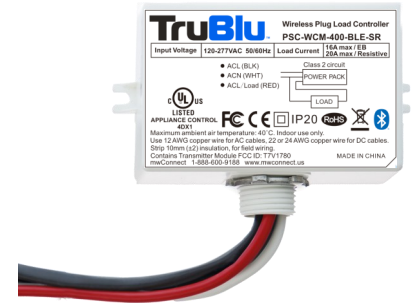


TruBlu Mesh Plug Load Controller with Integral Relay

Overview

- Bluetooth® NLC Certified
- Approved for Lighting and Plug Loads
- Mounts to 1/2" Knockout (Light Fixture or Enclosure)
- Switching Relay with Zero-Crossing
- Line Voltage Input (120-277 VAC)
- Approved for Use in Plenum Applications
- Conforms with DLC NLC5 Cybersecurity Standards
- Manufactured in the USA (-BAB option)



Applications

The Wireless Plug Load Controller (PSC-WCM-400-BLE-SR) is Bluetooth® NLC certified and designed to fit into a Bluetooth mesh system for wireless control of Plug Load lighting with an integral 20A relay.

The unit is suited for mounting to an electrical enclosure (via 1/2" knockout) or to a fixture/luminaire (via mounting tabs).

The PSC-WCM-400-BLE-SR is rated for use in Plenums and load control input that operates the integral relay.

Operation

TruBlu™ Mesh Controls: The PSC-WCM-400 controller is a Bluetooth NLC certified device by the Bluetooth SIG and offers true multi-vendor interoperability. Configuration of the device and mesh network is accomplished via the TruBlu web portal or iOS mobile app. The app is used for initial setup and subsequent parameter adjustment.

Advanced functionality such as energy monitoring, and demand response is available with the optional TruBlu Gateway (sold separately).

Integral Relay: Features a 20A relay to control multiple fixtures in a lighting zone and/or general loads.

See the TruBlu™ Commissioning User Manual for more information.

Summary

Product Type:
Single Channel Wireless Plug Load Controller

Input Voltage | Current Consumption:
120-277VAC 50/60Hz | 100 mA

Max Load Rating (20A Relay):
16A for Elec.Ballast, LED, CFL
20A for Resistive

Mounting: 1/2" Threaded Nipple to Fixture or Electrical Enclosure

Max Bluetooth Range¹: 100ft (30.4m)

Operating Temperature:
-40°F to 104°F (-40°C to 40°C)

Storage Temperature:
-40°F to 185°F (-40°C to 85°C)

Relative Humidity:
90-95% non-condensing

Color: White

Warranty: 5 years

Note:
1. Bluetooth Range is highly dependent on the integration of fixtures, surrounding environment and conditions. It is recommended to conduct testing for Bluetooth range accuracy.

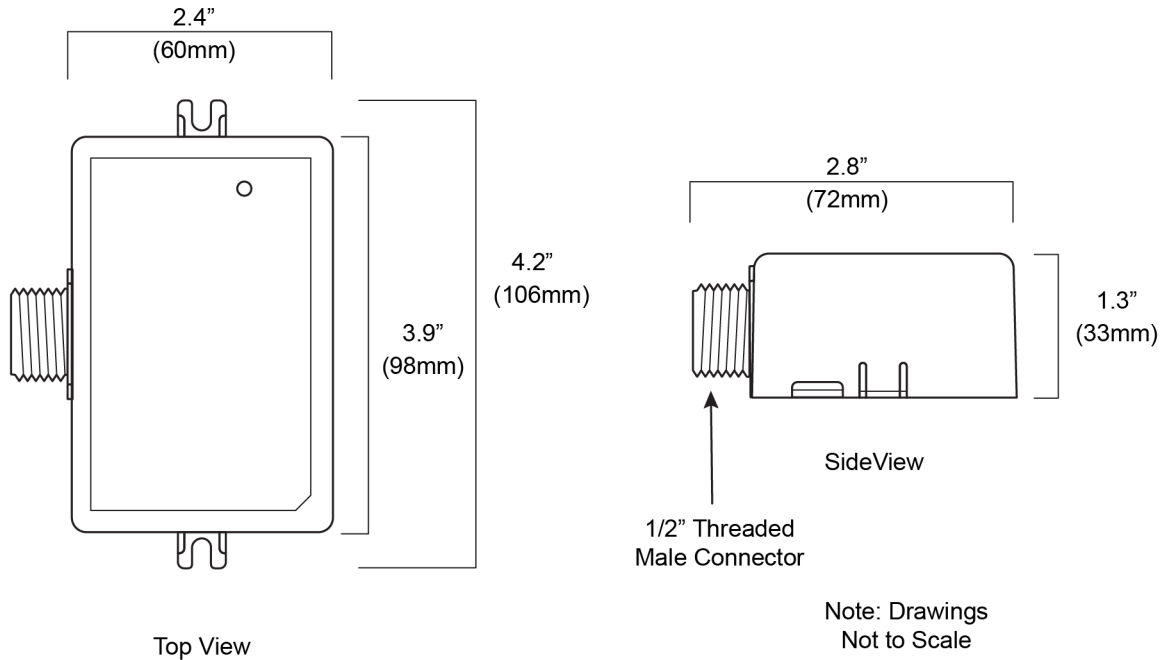
Manufactured in the USA

The PSC-WCM-400 device is Manufactured in the USA, using both imported and US-made components, when ordered with the -BAB option.

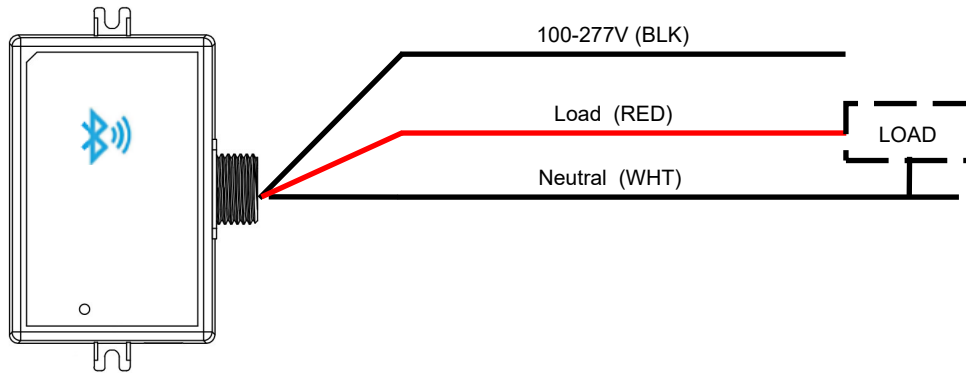
Project

Location/Type

Physical Dimensions



Wiring



Wiring Table

Wire	Designation	Notes	Size
Black	Line Input (120-277VAC)	Connect to Line Power (120 to 277 VAC, 50 or 60 Hz)	#12 AWG, 180+/- 20mm, Strip 10, Tin Plated
White	Neutral Input (120-277VAC)	Connect to Neutral Power and Load Power Input	
Red	Load Output	Connect to Load Power Input (Voltage matches Line Input)	

How To Order

Model No.	Description	Input Voltage	Relay
PSC-WCM-400-BLE-SR	TruBlu™ Mesh Line Voltage Single Channel Wireless Plug Load Controller with Integral Relay	120-277VAC	20A
PSC-WCM-400-BAB-SR	Manufactured in the USA TruBlu™ Mesh Line Voltage Single Channel Wireless Plug Load Controller with Integral Relay	120-277VAC	20A

Design and specifications are subject to change without notice.