

Casambi Mesh Plug Load Controller with Integral Relay

Overview

- Compatible with Casambi Wireless Mesh Systems
- Approved for Lighting and Plug Loads
- Mounts to 1/2" Knockout (Light Fixture or Enclosure)
- Switching Relay with Zero-Crossing
- Line Voltage Input (120-277 VAC)
- Approved for Use in Plenum Applications
- Manufactured in the USA (-BAB option)



Applications

The Wireless Plug Load Controller (PSC-WCM-400-BLE-CB) provides wireless control of Plug Load lighting with an integral 20A relay.

The unit is suited for mounting to an electrical enclosure (via 1/2" knockout) or to a fixture/luminaire (via mounting tabs).

The PSC-WCM-400-BLE-CB is rated for use in Plenums and load control input that operates the integral relay.

Operation

Casambi Wireless Mesh Controls: Configuration of the device and mesh network is accomplished via a mobile app, available as iOS or Android, to allow initial setup and subsequent parameters adjustments.

Integral Relay: Features a 20A relay to control multiple fixtures in a lighting zone and/or general loads.

See the mwConnect Casambi Commissioning User Manual for more information.

Manufactured in the USA

The PSC-WCM-400 device is Manufactured in the USA, using both imported and US-made components, when ordered with the -BAB option.



Summary

Product Type:
Single Channel Wireless Plug Load Controller

Input Voltage | Current Consumption:
120-277VAC 50/60Hz | 100 mA

Max Load Rating (20A Relay):
16A for Elec.Ballast, LED, CFL
20A for Resistive

Mounting: 1/2" Threaded Nipple to Fixture or Electrical Enclosure

Max Wireless Range¹: 100ft (30.4m)

Operating Temperature:
-40°F to 104°F (-40°C to 40°C)

Storage Temperature:
-40°F to 185°F (-40°C to 85°C)

Relative Humidity:
90-95% non-condensing

Color: White

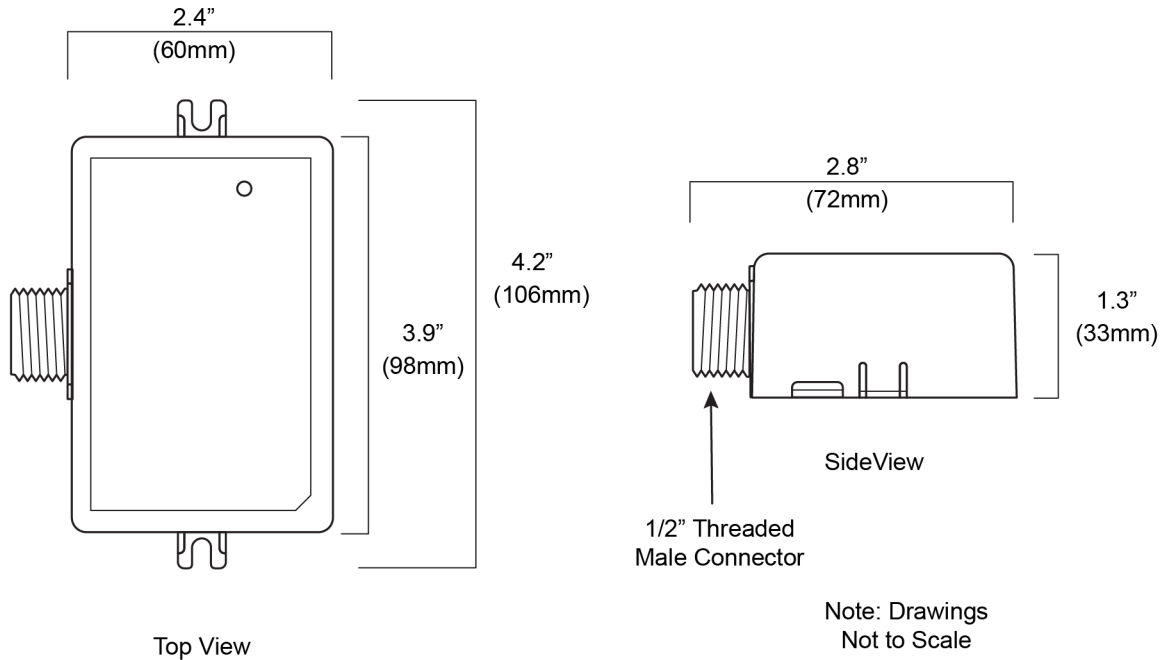
Warranty: 5 years

Note:
1. Wireless Range is highly dependent on the integration of fixtures, surrounding environment and conditions. It is recommended to conduct testing for wireless range accuracy.

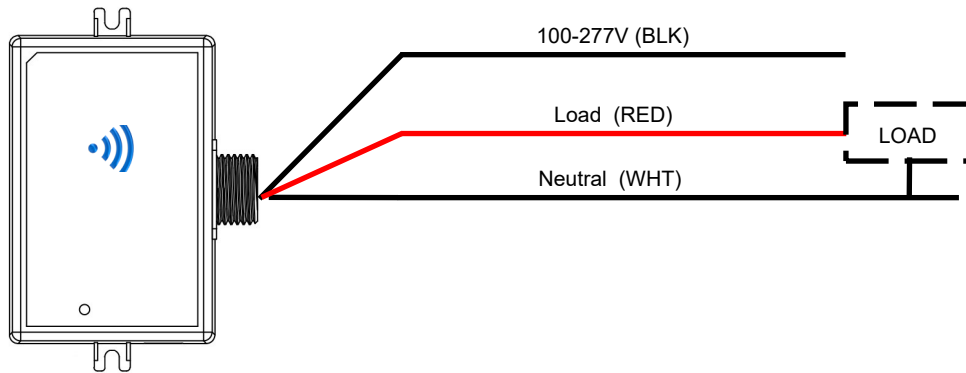
Project

Location/Type

Physical Dimensions



Wiring



Wiring Table

Wire	Designation	Notes	Size
Black	Line Input (120-277VAC)	Connect to Line Power (120 to 277 VAC, 50 or 60 Hz)	#12 AWG, 180+/- 20mm, Strip 10, Tin Plated
White	Neutral Input (120-277VAC)	Connect to Neutral Power and Load Power Input	
Red	Load Output	Connect to Load Power Input (Voltage matches Line Input)	

How To Order

Model No.	Description	Input Voltage	Relay
PSC-WCM-400-BLE-CB	Casambi Mesh Line Voltage Single Channel Wireless Plug Load Controller with Integral Relay	120-277VAC	20A
PSC-WCM-400-BAB-CB	Manufactured in the USA Casambi Mesh Line Voltage Single Channel Wireless Plug Load Controller with Integral Relay	120-277VAC	20A

Design and specifications are subject to change without notice.